

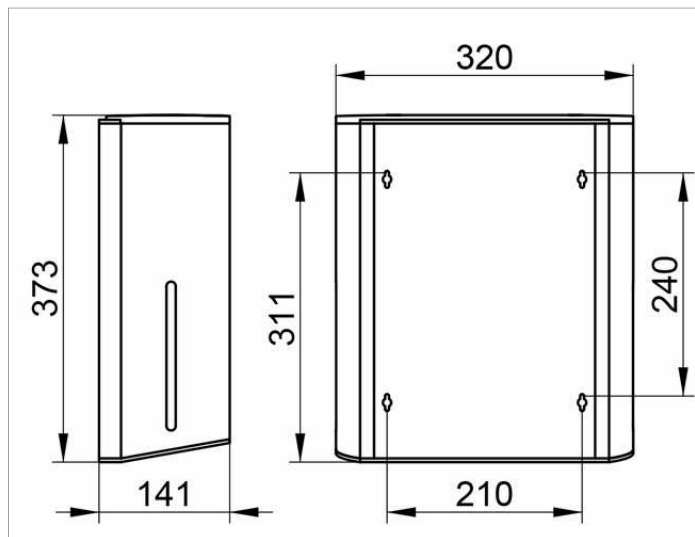
Plan  
14985010000 Дозатор бумажных полотенец

ИЗДЕЛИЕ



поверхность  
хром

ЧЕРТЕЖ



спецификации

KEUCO PLAN paper towel dispenser 14985010000  
chrome-plated paper towel dispenser, wall mounted model for  
installation in the  
public domain  
for folded paper towels, length from 9-8/16 up to 10", width from 3-  
15/16" up to 4-6/8" ,  
height 14-9/16", width 12-5/8", projection 5-9/16",  
The paper towel dispenser is fitted with 4 hidden fixing points  
incl. corrosion-free mounting material