

BASE FURNITURE

Medium cabinet

40261.1

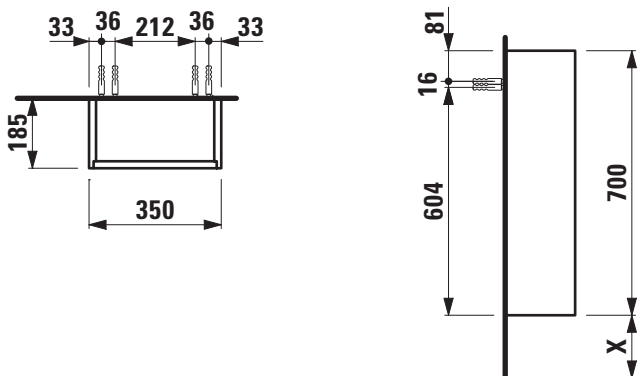
40261.2



TECHNICAL DATA

Order no.	40261.1 / door hinge left 40261.2 / door hinge right	Mounting acc. incl.	Installation set for furniture, order no. 49302.1
Dimensions (WxHxD)	350 x 700 x 185 mm	Mounting information	The walls installed on must meet the requirements of the furniture in terms of weight and the supplied fastening elements. If this cannot be guaranteed another method of installation needs to be chosen.
Matching for	Pack washbasin Laufen Pro S, order no. 86496.0, 86496.1, 86496.2, 86496.3	Colours	260 – White matt 261 – White glossy 262 – Light elm 263 – Dark brown elm 999 – 39 other lacquered colours on request
Specification	Body/Front White matt: Body MDF with PVC foil (post-forming) Front MDF with PVC foil and ABS edges White glossy: Body MDF with PET foil (post-forming) Front MDF with PET foil and ABS edges Elm light/dark: Body/Front melamine coated particle board with ABS edges 1 push and pull door (soft-close mechanism) 2 glass shelves (adjustable)		
Weight	10,5 kg		

TECHNICAL DRAWINGS / S 1 : 20



X = The exact height must be set during installation.