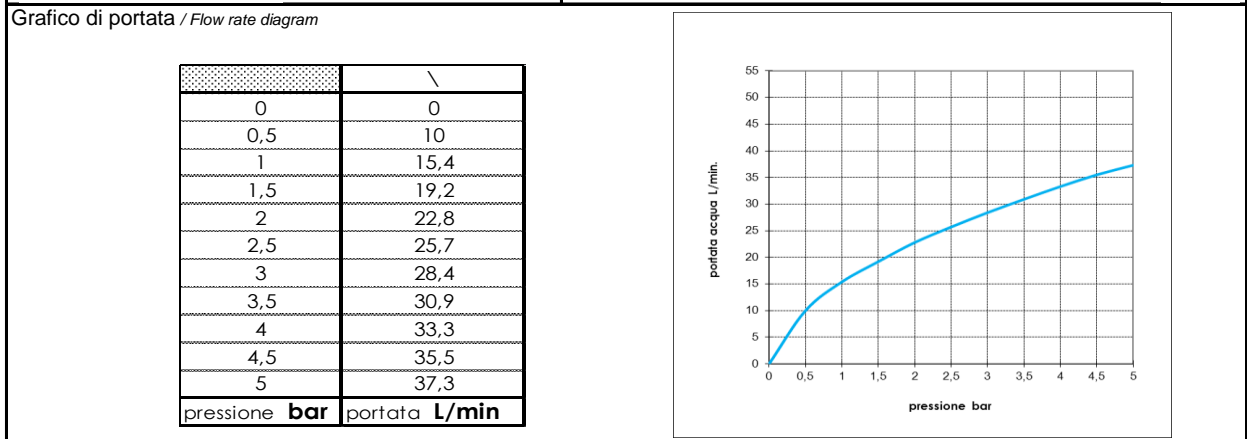
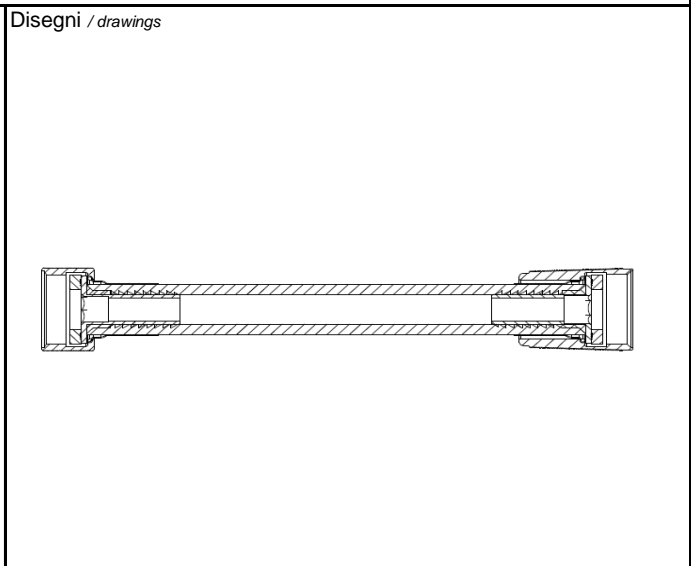


	SCHEDA TECNICA TECHNICAL SHEET	Date: 10/04/2017	Rev/0

Codice / Code: INA001	Descrizione / description: Flessibile Cromolux retinato nylon 1/2" x 1/2" FF cono in acciaio inox Cromolux nylon-reinforced hose with stainless steel 1/2" x 1/2" FF conical nut
--	---



MATERIALI / materials

Stainless steel, rubber.

CARATTERISTICHE IDRAULICHE / hydraulic features

	pressione pressure	portata flow rate	temperatura temperature	<i>solo per miscelatori termostatici</i> <i>only for thermostatic mixers</i>	
min	1 bar	--	--	Blocco di sicurezza safety lock	/
max	5 bar	--	<70°C	Temperatura acqua fredda cold water temperature	/
consigliata recommended	2-3 bar	--	<42°C	Temperatura acqua calda hot water temperature	/

CERTIFICAZIONI / CERTIFICATIONS:

CONFORMITA' / CONFORMITY :
 EN 1113