



Pre-installation Data Sheet

Tempano Shower Trays

Index

Installation instructions.....	2
Pre-installation	3
Water installation and seal.....	4
Shower tray data sheet	5
Shower tray data sheet	6
Self-supporting installation on screed.....	9

Installation instructions

PLANNING

Before starting the installation, plan the layout in detail, taking the site conditions into consideration.

NORMAL USE

The Tempano shower tray is designed for installation directly on the floor or with a support frame. Any other usage is deemed as not corresponding with normal usage. Duravit AG assumes no liability for abnormal usage.

TARGET READERSHIP AND QUALIFICATIONS

The shower tray must only be installed by trained plumbing engineers.

Pre-installation

INSTALLATION LOCATION / INSTALLATION ROOM

- > Make sure that the installation location fulfils the following criteria
- Doors / external access**
- > Ensure that doors or other access openings are large enough to accommodate transport dimensions, keeping in mind the weight and need for sufficient manoeuvring room.

Required area Allow for enough space around the shower tray for the installation.

- Floor**
- Completely level
 - At a right angle to the wall
 - Note the overall strength of the floor structure including the floor finish
 - No underfloor heating should be located under the shower tray

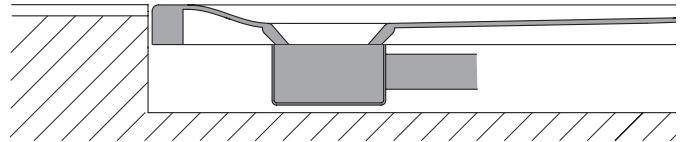
NOTE

The residual humidity of the screed must not exceed 2 CM% (calcium carbide method) at the start of installation.

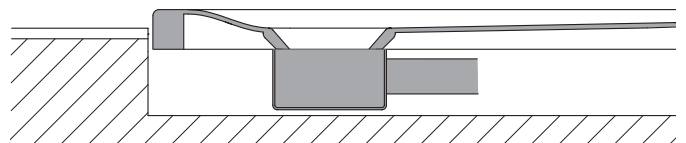
- Wall**
- At a right angle to the shower tray / floor
 - Completely straight

RANGE OF APPLICATIONS

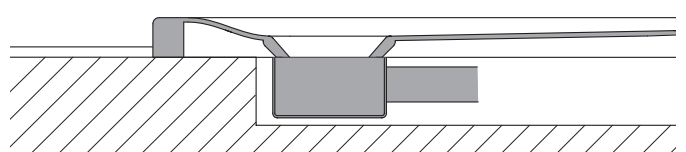
Flush with the floor



Semi-recessed



Surface-mounted



INCREASED NOISE PROTECTION

The noise reduction gasket for shower trays (#791372) is needed for more stringent noise protection requirements in accordance with DIN 4109, the noise protection level 3 of VDI 4100 and SIA 181 (e.g. for the typical "bathroom over bathroom" room layout) when installed with a support frame on an unfinished floor.

ANTI-SLIP

An anti-slip coating is optionally available for the Tempango shower tray. The evaluation category C for wet barefoot areas is achieved with the anti-slip coating in accordance with DIN 51097.



Water installation and seal

WATER INSTALLATION

All work associated with the water connection may only be undertaken by a qualified plumber. The installation must be carried out in accordance with country-specific standards and local regulations.

Water connection

- Connections for the water supply and drains must be in compliance with the currently valid standards and public regulations.
- Position the water drain (DN 50) flush to the mounting surface or out of the wall directly above the mounting surface; see drawing for recommended area.

SEAL

The breach of local and country-specific regulations and standards can cause damage to the product and/or property damage.

- > Observe the local installation regulations and any country-specific standards at all times.
- > Please observe the current version of the data sheets issued by the Central Association of the German Construction Industry (ZDB data sheets).

Compound seal

NOTE

Product and / or material damage due to no seal

A compound seal behind and below the shower tray is absolutely essential to protect against water damage.

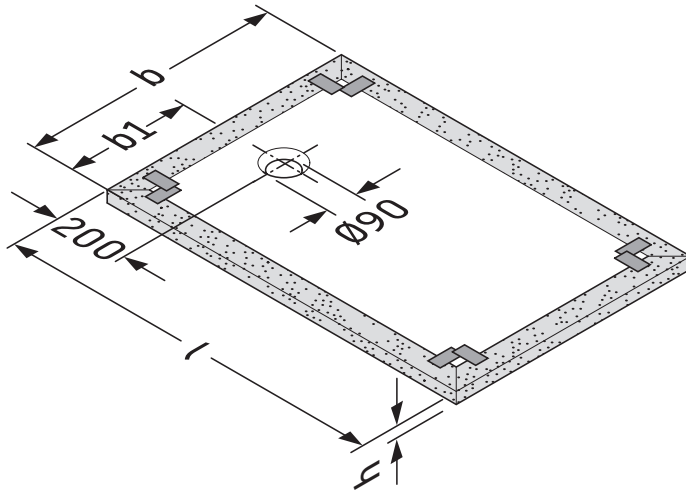
- > Apply a compound seal in accordance with DIN 18534 across all trades.

Second sealing layer

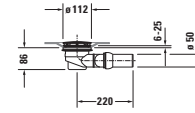
Use the integrated membrane to produce a second sealing layer.

- > Incorporate the sealing membrane into the compound seal.
- > Never cut into the sealing membrane.

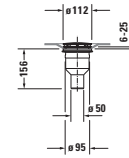
Shower tray data sheet



Installation on screed

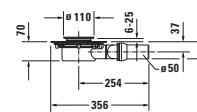


Drain # 790263



Drain # 790269

Installation with support frame



Drain # 791283

With anti-slip coating -01

Technical data

	Height* mm	incl. shower tray feet for a raised floor structure* mm				
Support frame	70 - 100	100 - 150				
Net weight kg	Shipping weight kg	Shipping dimensions mm l x w x h	Product dimensions mm l x w x h	Drain position mm (b1)	Order no. Shower tray	Support frame order no.
20,5	22,7	840 x 840 x 80	800 x 800 x 40	400	720187 00 0 00 0000	791373 00 0 00 0000
21	23,3	940 x 940 x 80	900 x 900 x 40	450	720188 00 0 00 0000	791374 00 0 00 0000
22,5	24,9	1040 x 1040 x 80	1000 x 1000 x 40	500	720189 00 0 00 0000	791375 00 0 00 0000
24,5	27,3	1240 x 1240 x 80	1200 x 1200 x 45	600	720190 00 0 00 0000	791376 00 0 00 0000
22	24,4	940 x 790 x 80	900 x 750 x 40	375	720191 00 0 00 0000	791377 00 0 00 0000
24,5	27,3	940 x 840 x 80	900 x 800 x 40	400	720192 00 0 00 0000	791378 00 0 00 0000
26,5	29,7	1040 x 740 x 80	1000 x 700 x 40	350	720193 00 0 00 0000	791379 00 0 00 0000
30	33,5	1040 x 840 x 80	1000 x 800 x 40	400	720194 00 0 00 0000	791380 00 0 00 0000
26,5	29,3	1040 x 940 x 80	1000 x 900 x 40	450	720195 00 0 00 0000	791381 00 0 00 0000
31,5	34,8	1240 x 740 x 80	1200 x 700 x 45	350	720196 00 0 00 0000	791382 00 0 00 0000
33,5	37,2	1240 x 840 x 80	1200 x 800 x 45	400	720197 00 0 00 0000	791383 00 0 00 0000
35,5	39,5	1240 x 940 x 80	1200 x 900 x 45	450	720198 00 0 00 0000	791384 00 0 00 0000
41,5	46,5	1240 x 1040 x 80	1200 x 1000 x 45	500	720199 00 0 00 0000	791385 00 0 00 0000
32	35,7	1440 x 790 x 80	1400 x 750 x 45	375	720200 00 0 00 0000	791386 00 0 00 0000
34	37,8	1440 x 840 x 80	1400 x 800 x 45	400	720201 00 0 00 0000	791387 00 0 00 0000
36	40,2	1440 x 940 x 80	1400 x 900 x 45	450	720202 00 0 00 0000	791388 00 0 00 0000
39,5	44,3	1440 x 1040 x 80	1400 x 1000 x 45	500	720203 00 0 00 0000	791389 00 0 00 0000
33,5	37,3	1540 x 790 x 80	1500 x 750 x 50	375	720204 00 0 00 0000	791390 00 0 00 0000
35	39	1540 x 840 x 80	1500 x 800 x 50	400	720205 00 0 00 0000	791391 00 0 00 0000
35	39	1640 x 840 x 80	1600 x 750 x 50	375	720206 00 0 00 0000	791392 00 0 00 0000
36,5	40,5	1640 x 790 x 80	1600 x 800 x 50	400	720207 00 0 00 0000	791393 00 0 00 0000
40,5	45,5	1640 x 940 x 80	1600 x 900 x 50	450	720208 00 0 00 0000	791394 00 0 00 0000
44	49,5	1640 x 1040 x 80	1600 x 1000 x 50	500	720209 00 0 00 0000	791395 00 0 00 0000
35,5	39,5	1740 x 740 x 80	1700 x 700 x 50	350	720210 00 0 00 0000	791396 00 0 00 0000
37,5	41,8	1740 x 790 x 80	1700 x 750 x 50	375	720211 00 0 00 0000	791397 00 0 00 0000
45,5	50,8	1740 x 940 x 80	1700 x 900 x 50	450	720212 00 0 00 0000	791398 00 0 00 0000
50,5	56	1840 x 940 x 80	1800 x 900 x 55	450	720213 00 0 00 0000	791399 00 0 00 0000

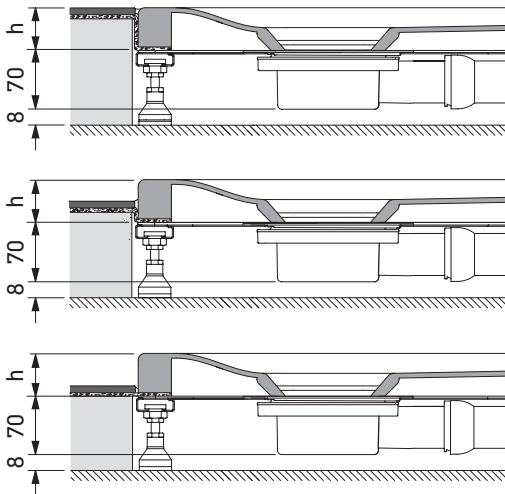
*Increased noise protection: The system height is increased by an additional 9 mm when using the noise reduction gasket (#791372).

Installation with support frame

Required products:

- **Shower tray**
720187 00 0 00 0000 – # 720213 00 0 00 0000
- **Support frame**
791373 00 0 00 0000 – # 791399 00 0 00 0000
- **Outlet drain**
 - Horizontal, for installation with a support frame, white
791283 00 0 00 0000
- **Shower tray feet, for a raised floor structure** (optional)
790173 00 0 00 0000
- **Noise reduction gasket for shower trays** (optional)
#791372 00 0 00 0000
- **Silicone sealant** (suitable for acrylic surfaces)

System height:



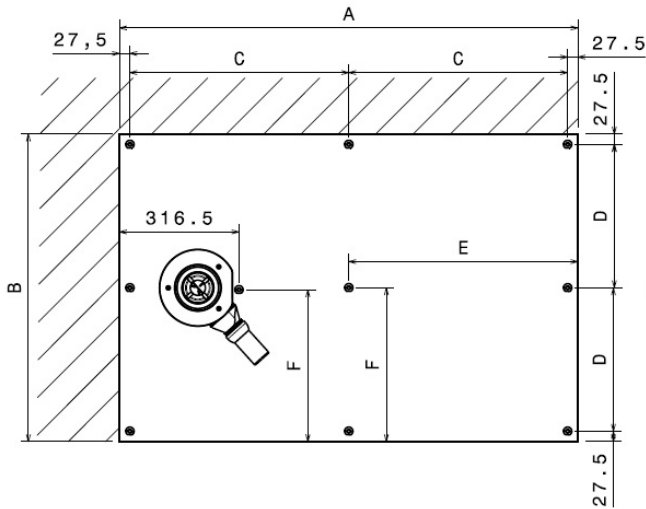
Support frame height adjustable from 70 to 100 mm and, with shower tray feet for a raised floor structure (# 790173), height adjustable from 100 to 150 mm.

> Allow for enough space between the floor and siphon.

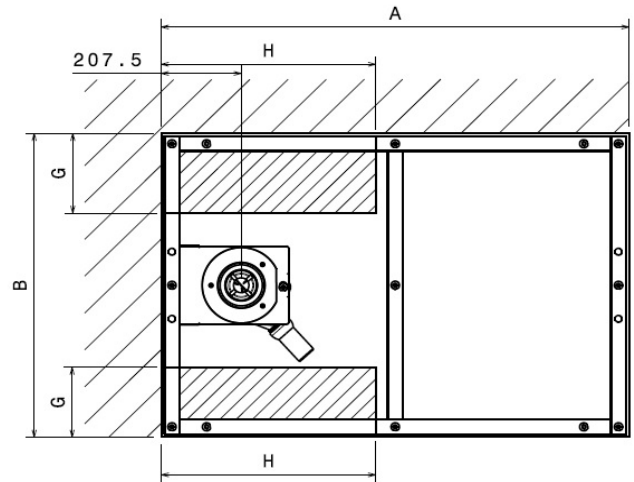
> The system height is increased by an additional 9 mm when using the noise reduction gasket (#791372).

Installation with support frame

Position of feet (9 feet):



Position of drain connection (9 feet):

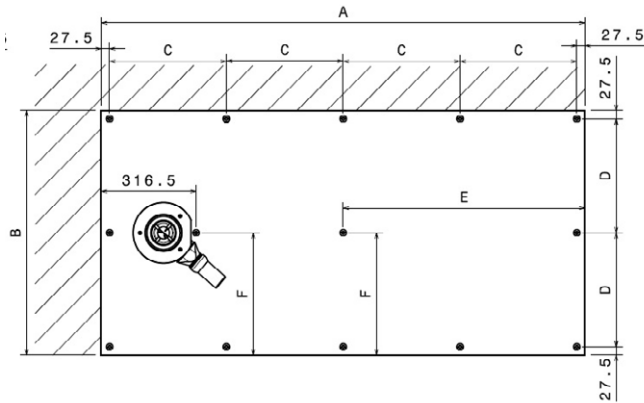


Hollow in screed

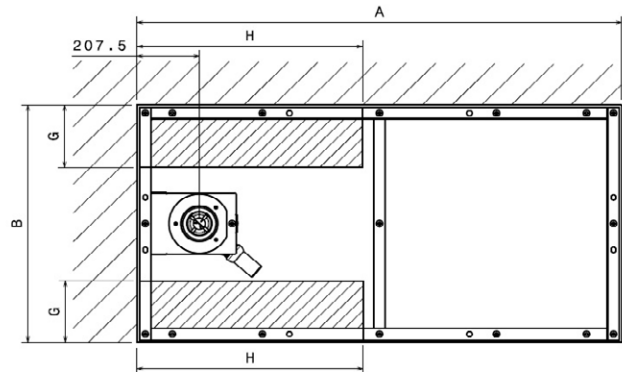
Support frame order no.	Product dimensions of shower tray mm l x w x h	A	B	C	D	E	F	G	H
# 791373	800 x 800 x 40	815	815	380	380	407.5	407.5	157.5	357.5
# 791374	900 x 900 x 40	915	915	430	430	457.5	457.5	207.5	407.5
# 791375	1000 x 1000 x 40	1015	1015	480	480	507.5	507.5	257.5	457.5
# 791376	1200 x 1200 x 45	1215	1215	580	580	607.5	607.5	357.5	557.5
# 791377	900 x 750 x 40	915	765	430	355	457.5	382.5	132.5	407.5
# 791378	900 x 800 x 40	915	815	430	380	457.5	407.5	157.5	407.5
# 791379	1000 x 700 x 40	1015	715	480	330	507.5	357.5	107.5	457.5
#791380	1000 x 800 x 40	1015	815	480	380	507.5	407.5	157.5	457.5
#791381	1000 x 900 x 40	1015	915	480	430	507.5	457.5	207.5	457.5
#791382	1200 x 700 x 45	1215	715	580	330	607.5	357.5	107.5	557.5
#791383	1200 x 800 x 45	1215	815	580	380	607.5	407.5	157.5	557.5
#791384	1200 x 900 x 45	1215	915	580	430	607.5	457.5	207.5	557.5
#701385	1200 x 1000 x 45	1215	1015	580	480	607.5	507.5	257.5	557.5

Installation with support frame

Position of feet (13 feet):



Position of drain connection (13 feet):



Hollow in screed

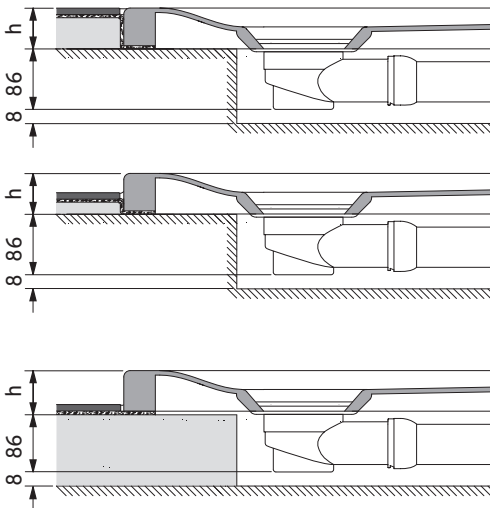
Support frame order no.	Product dimensions of shower tray mm l x w x h	A	B	C	D	E	F	G	H
# 791386	1400 x 750 x 45	1415	765	340	355	707.5	382.5	132.5	657.5
# 791387	1400 x 800 x 45	1415	815	340	380	707.5	407.5	157.5	657.5
# 791388	1400 x 900 x 45	1415	915	340	430	707.5	457.5	207.5	657.5
# 791389	1400 x 1000 x 45	1415	1015	340	480	707.5	507.5	257.5	657.5
# 791390	1500 x 750 x 50	1515	765	365	355	757.5	382.5	132.5	707.5
# 791391	1500 x 800 x 50	1515	815	365	380	757.5	407.5	157.5	707.5
# 791392	1600 x 750 x 50	1615	765	390	355	807.5	382.5	132.5	757.5
#791393	1600 x 800 x 50	1615	815	390	380	807.5	407.5	157.5	757.5
#791394	1600 x 900 x 50	1615	915	390	430	807.5	457.5	207.5	757.5
#791395	1600 x 1000 x 50	1615	1015	390	480	807.5	507.5	257.5	757.5
#791396	1700 x 700 x 50	1715	715	415	330	857.5	357.5	107.5	807.5
#791397	1700 x 750 x 50	1715	765	415	355	857.5	382.5	132.5	807.5
#791398	1700 x 900 x 50	1715	915	415	430	857.5	457.5	207.5	807.5
#791399	1800 x 900 x 55	1815	915	440	430	907.5	457.5	207.5	857.5

Self-supporting installation on screed

Required products:

- Shower tray
720187 00 0 00 0000 – # 720213 00 0 00 0000
- Outlet drain
 - Horizontal # 790263 00 0 00 0000
 - Vertical # 790269 00 0 00 0000
- Silicone sealant (suitable for acrylic surfaces)

System height:



DURAVIT AG
P.O. Box 240
Werderstr. 36
78132 Hornberg
Germany
Phone +49 78 33 70 0
Fax +49 78 33 70 289
info@duravit.com
www.duravit.com

