

Rebris E

Single lever bidet mixer with metal pop-up waste set

Surfaces: **Matt Black** Article Number: **72213670**



Description

product features

- consists of: single lever bidet mixer, waste set
- aerator with ball pivot
- spray type: normal spray
- maximum flow rate at 3 bar: 5 l/min
- ceramic cartridge
- suitable for continuous flow water heaters
- pop-up waste set G 1¼
- material waste set: metal
- connection type: G ¾ connections
- connection dimension: DN15

Technology



Design awards



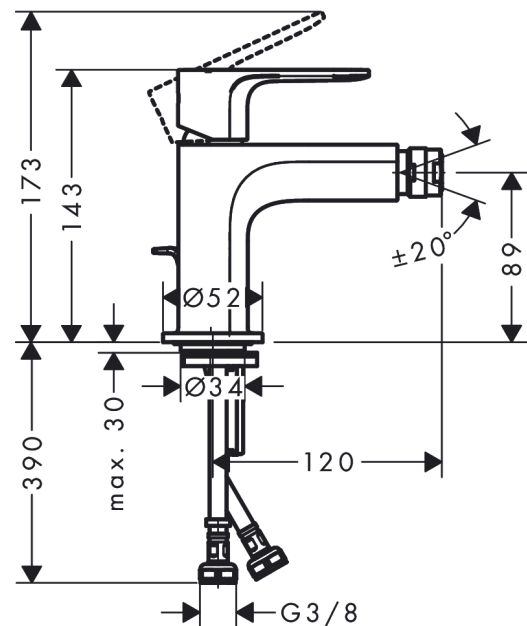
Certificates



Product image



Scale drawing



Flowchart

