

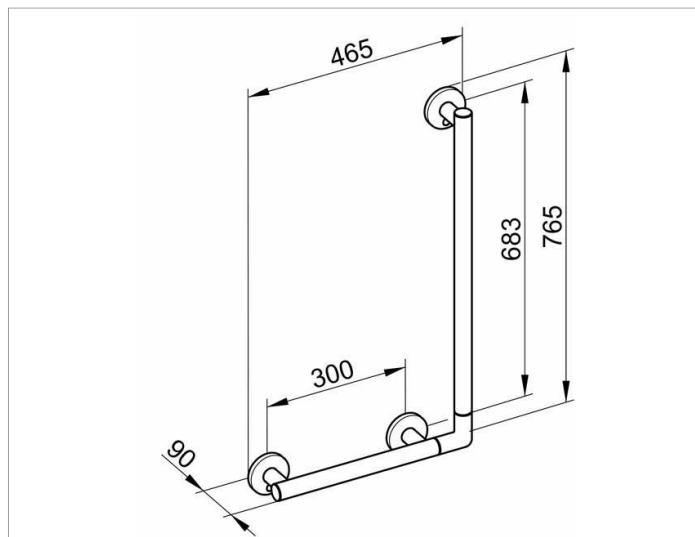
Plan Care

34906010306 Угловой поручень 90°

ИЗДЕЛИЕ



ЧЕРТЕЖ



ОПИСАНИЕ ИЗДЕЛИЯ

монтируется справа и слева

поверхность

хром

Габариты

465/765 mm

спецификации

KEUCO PLAN CARE angle bar 90° 34906010306

May be used on the left or right

High shine chrome-plated

in esthetic, practical and ergonomic Design,

vertical rail right hand side especially for WC-place as Support help,

Getting up and down up to 115 kg load capacity,

anti-static,

easy to clean

Outside measurement 300 / 600 mm

Pipe Diameter 33 mm,

3 Rosettes Diameter 82 mm

horizontal Base measurement 300 mm,

with a Total Width from 465 mm

vertical Base measurement 682 mm,

with a Total Height of 765 mm

Projection 90 mm,

Wall distance 57 mm

May be combined with toilet paper holder (Art. no. 34962)

Included in delivery:

3 x mounting set1 (Art. no. 34990000100)

Further mounting sets

3 x mounting set1 (Art. no. 34990000100)

Further mounting sets

(depending on type of wall):

3 x mounting set 4 (Art. no. 34990 000200), or

3 x mounting set 7 (Art. no. 34993 000200)

Please order additionally!