

Edition 400

51591010000 Настенный держатель душевой лейки

ИЗДЕЛИЕ



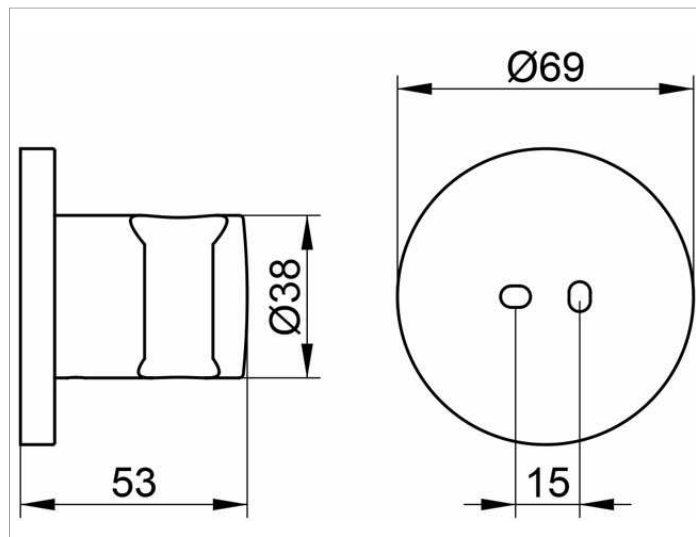
ОПИСАНИЕ ИЗДЕЛИЯ

Для шлангов с конической гайкой

поверхность

хром

ЧЕРТЕЖ



спецификации

KEUCO Edition 400 wall bracket for hand shower, 51591010000
chrome-plated wall bracket for hand shower,
sculptural design
for shower hoses with fitted conical and brackets,
rosette diameter 69 mm,
base body diameter 38 mm,
depth 53 mm,
the wall bracket for hand shower is fitted concealed,
delivery includes anti-corrosion fixings