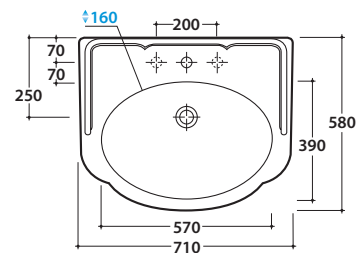


PAESTUM BASIN PA006BI

CE EN 14688:2015

GLOBO



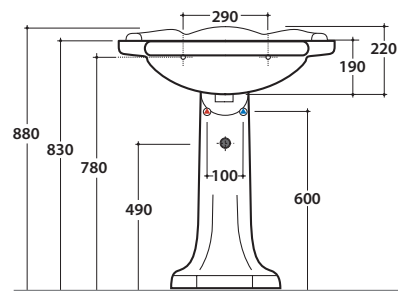
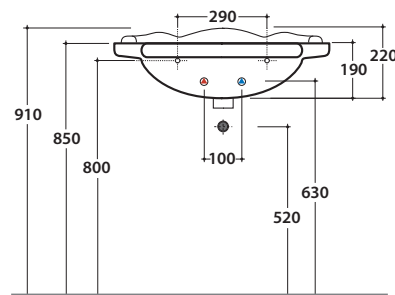
Ceramic antibacterial effect
BATAFORM®



Glazed product with
CERASLIDE®

Cod. **PA006BI**

Basin 71.58 h20 cm. Wall-hung installation or on floor mounted pedestal. Fixing kit included. Weight 24 Kg



Cod. **PA005BI**

Floor mounted pedestal. For basins PA006 and PA057. Weight 13 Kg



Cod. **FI012BI**

Push open valve drain with ceramic top for basins with overflow. Weight 0,5 Kg



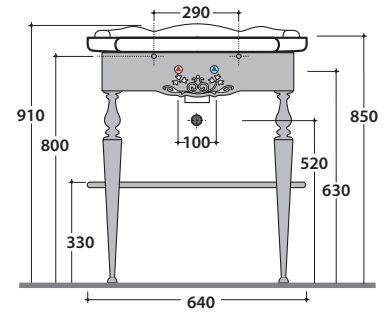
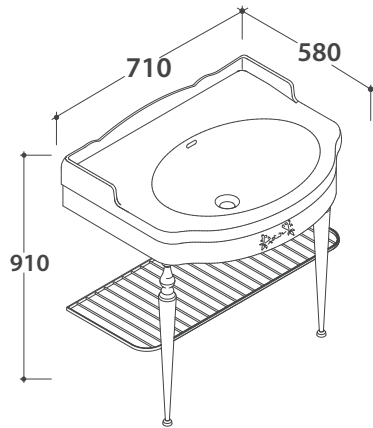
Cod. **FI012CR**

Push open chromed valve drain for basins with overflow. Weight 0,5 Kg

PAESTUM BASIN PA006BI

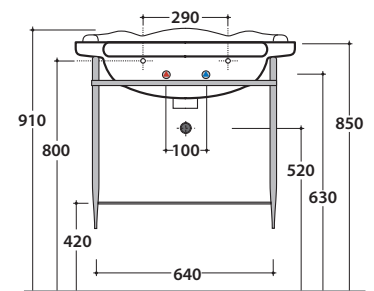
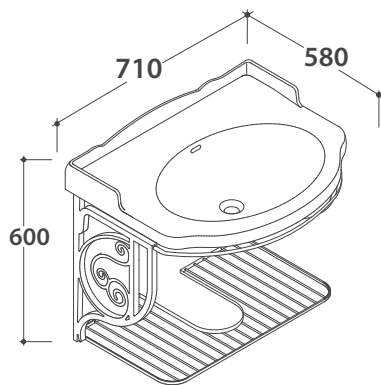
CE EN 14688:2015

GLOBO



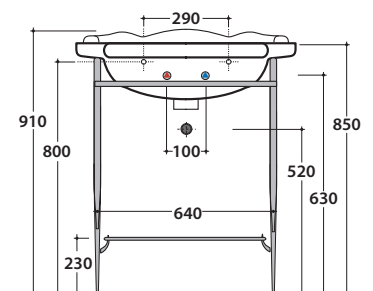
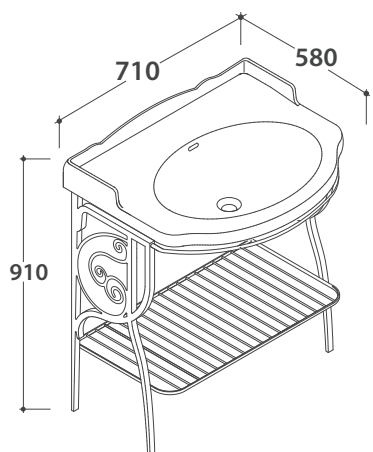
Cod. **PA006**

Brass chromium-plated floor-mounted structure 65.56 h82 cm, for basin PA006. Weight 14,5 Kg



Cod. **PA035**

Old looking metal wall-hung structure 69.57 h56 cm, for basin PA006. Weight 6 Kg



Cod. **PA034**

Old looking metal floor-mounted structure 69.56 h81 cm, for basin PA006. Weight 8 Kg

PAESTUM BASIN PA006BI

CE EN 14688:2015

GLOBO

Cod. **PS071FO**

Gold-leaf finish

Cod. **PS071FA**

Silver-leaf finish

Cod. **PS071CA**

Lacquered CARBONE

Cod. **PS071ME**

Lacquered MELOGRANO

Cod. **PS071CT**

Lacquered CRETA

Cod. **PS710CL**

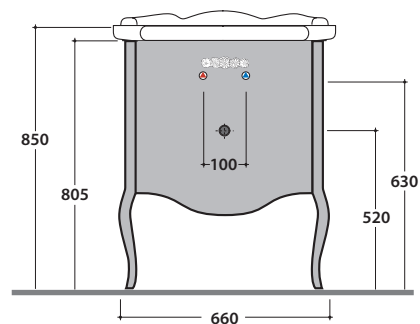
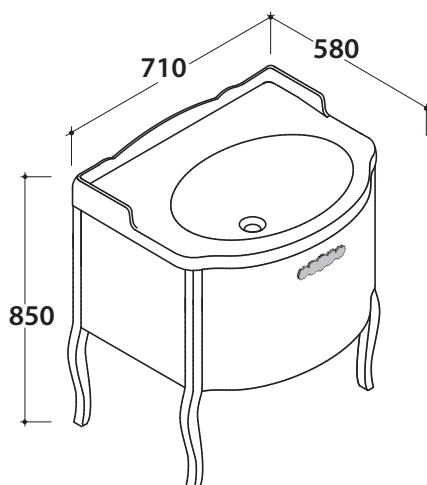
Lacquered CLAY

Cod. **PS071RN**

Black oak finish

Cod. **PS071RB**

White oak finish



Maximum encumbrance with open drawer mm. 970

Floor-mounted base 69.56 h80 cm for basin PA006, 1 drawer. Weight 21 Kg