

Rebris S
Single lever bath and shower mixer Monotrou with 2 flow rates
 Surfaces: **Chrome** Article Number: **72436000**



Description

product features

- 2 functions
- projection: 140 mm
- spray type mixer: normal spray
- maximum flow rate at 3 bar: 18,7 l/min
- flow rate for bath spout at 3 bar: 18,7 l/min
- flow rate of hand shower at 3 bar: 13,6 l/min
- ceramic cartridge with Eco handle position for 2 flow rates
- temperature limitation adjustable
- diverter with automatic resetting
- protected against backflow, according to DIN EN 1717
- connection dimension: DN15
- connection type: G 3/8 connections
- min. operating pressure: 1 bar
- max. operating pressure: 10 bar

Technology



Design awards



reddot winner 2022



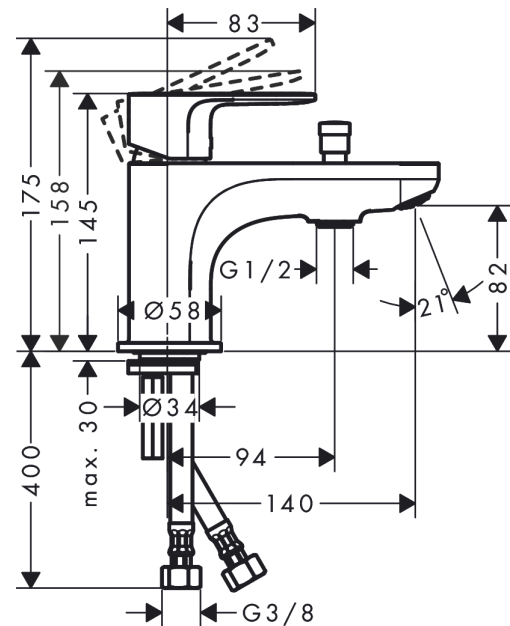
Certificates



Product image



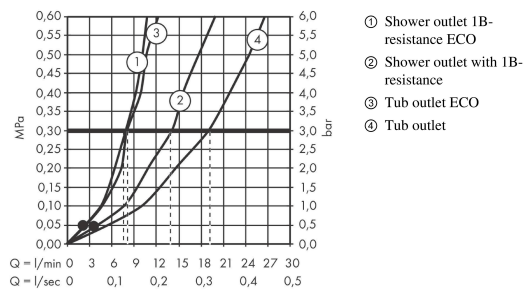
Scale drawing



Rebris S
Single lever bath and shower mixer Monotrou with 2 flow rates
 Surfaces: **Chrome** Article Number: **72436000**



Flowchart

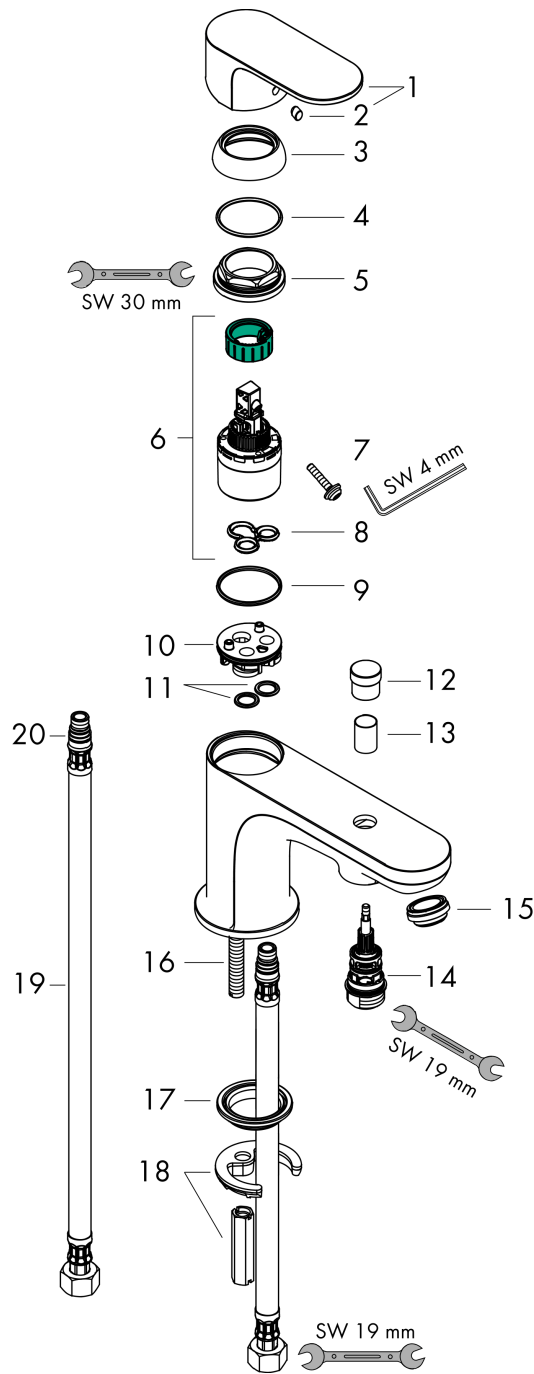


Rebris S
Single lever bath and shower mixer Monotrou with 2 flow rates
 Surfaces: **Chrome** Article Number: **72436000**



Exploded Drawing

Year of production: >06/22



Rebris S**Single lever bath and shower mixer Monotrou with 2 flow rates**Surfaces: **Chrome** Article Number: **72436000****Spare part list**

Year of production: >06/22

Pos.	Description	Article Number	Price	PU
1	screw cover	96338000	€ 3,21	1
2	flange	97406000	€ 18,33	1
3	O-ring 33x2	98154000	€ 3,21	1
4	nut	95870000	€ 22,37	1
5	cartridge, assy	95730000	€ 35,94	1
6	locking screw for handle	95140000	€ 5,24	1
7	seal	95008000	€ 8,45	1
8	O-Ring 32x2	98193000	€ 3,21	1
9	adapter for cartridge	97773000	€ 8,45	1
10	O-ring 9x1,8	98118000	€ 3,21	1
11	diverter knob	97981000	€ 18,33	1
12	sleeve	97979000	€ 13,92	1
13	selector	97978000	€ 57,12	1
14	aerator M24x1 (30 l/min)	94656000	€ 5,24	1
15	screw M8 x 68	97736000	€ 5,24	1
16	seal	97608000	€ 5,24	1
17	fixing set	96016000	€ 28,20	1
18	connection hose 450 mm M10x1 G3/8	96507000	€ 35,94	1
19	O-ring 8x1,75	97827000	€ 3,21	1