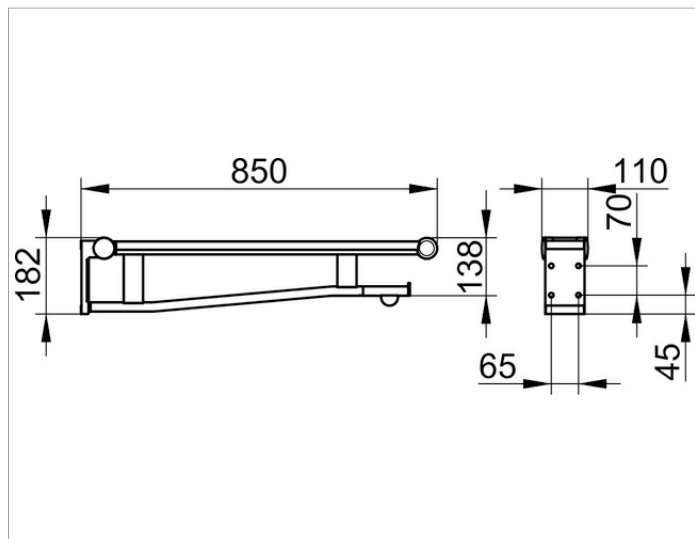


**Plan Care**

34903170851 Настенный поручень для туалета

**ИЗДЕЛИЕ****ЧЕРТЕЖ****ОПИСАНИЕ ИЗДЕЛИЯ**

откидывается вверх, исполнение с ограничением хода, верх поручня имеет пластиковую оболочку, со съемным держателем туалетной бумаги (с роликовым ограничителем)

**поверхность**

алюминий серебристый анодированный (E6 Ебелый (RAL 9010))

**Габариты**

850 mm

**спецификации**

KEUCO PLAN Pivoted supporting rail for WC 34903170851  
Pivoted supporting rail for WC in aluminium silver anodized with Plastic covered Surface area in esthetic, practical and ergonomic Design with synthetic covered support, white (RAL 9010), movable to vertical position, braked version with removable toilet paper holder (with roll brake) anti-static  
Width Surface area with anti-slip, elegant, tactile and optical contrasting Handle  
Underneath as Hand towel holder useable  
Projection 850 mm  
Width Wall plate 110 mm,  
Height Wall plate 182 mm  
Load capacity up to 100 kg  
The Handle is Type approved  
Wall support grip will be at 4 places discretely mounted

It's essential for installation to order the correct screws/bolts depending on type of wall:

2 x Mounting-Set 2 (item no. 34991000100) or  
2 x Mounting-Set 5 (item no. 34991000200) or  
2 x Mounting-Set 8 (item no. 34994000200) or  
1 x Mounting-Set 10 (item no. 34996000100)

Please order separately!