
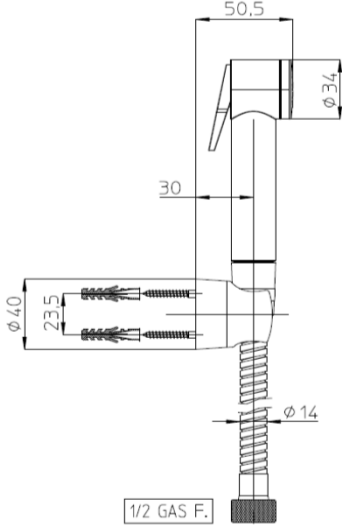
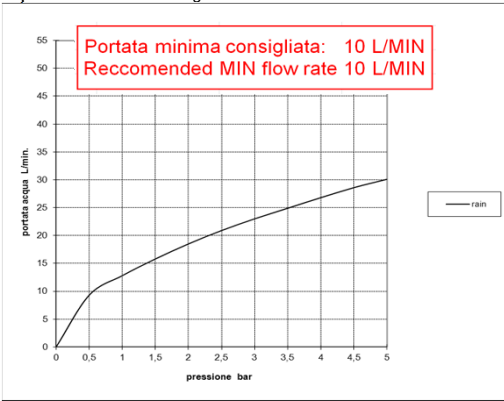


BOSSINI		SCHEDA TECNICA TECHNICAL SHEET		Date: 14/12/2015	Rev/0																										
Codice / Code: C03121		Descrizione / description: Duplex doccia a pulsante con supporto fisso, flessibile cm 125 Shut-off handspray set with fixed bracket, flexible hose cm 125																													
Foto / image		Disegni / drawings																													
																															
Grafico di portata / Flow rate diagram																															
		<table border="1"> <thead> <tr> <th></th> <th>RAIN</th> </tr> </thead> <tbody> <tr><td>0</td><td>0,0</td></tr> <tr><td>0,5</td><td>7,8</td></tr> <tr><td>1</td><td>10,9</td></tr> <tr><td>1,5</td><td>13,6</td></tr> <tr><td>2</td><td>16,0</td></tr> <tr><td>2,5</td><td>18,1</td></tr> <tr><td>3</td><td>20,1</td></tr> <tr><td>3,5</td><td>22,0</td></tr> <tr><td>4</td><td>23,7</td></tr> <tr><td>4,5</td><td>25,5</td></tr> <tr><td>5</td><td>27,2</td></tr> <tr> <td>pressione bar</td> <td>portata L/min</td> </tr> </tbody> </table>					RAIN	0	0,0	0,5	7,8	1	10,9	1,5	13,6	2	16,0	2,5	18,1	3	20,1	3,5	22,0	4	23,7	4,5	25,5	5	27,2	pressione bar	portata L/min
	RAIN																														
0	0,0																														
0,5	7,8																														
1	10,9																														
1,5	13,6																														
2	16,0																														
2,5	18,1																														
3	20,1																														
3,5	22,0																														
4	23,7																														
4,5	25,5																														
5	27,2																														
pressione bar	portata L/min																														
MATERIALI / materials																															
Brass, Rubber, Plastic																															
CARATTERISTICHE IDRAULICHE / hydraulic features																															
	pressione pressure	portata flow rate	temperatura temperature	solo per miscelatori termostatici only for thermostatic mixers																											
min	1 bar	/	--	Blocco di sicurezza safety lock	/																										
max	5 bar	/	<70°C	Temperatura acqua fredda cold water temperature	/																										
consigliata recommended	2-3 bar	10 L/min	°C	Temperatura acqua calda hot water temperature	/																										
CERTIFICAZIONI / CERTIFICATIONS																															
Hose: ACS (FRA), NF [EN 1113] (FRA); Shower: ACS (FRA)																															
CONFORMITA' / CONFORMITY																															
Chrome plating - EN 248																															