
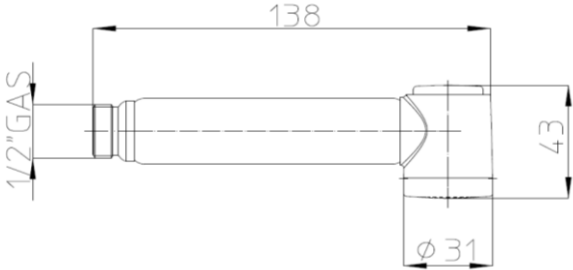
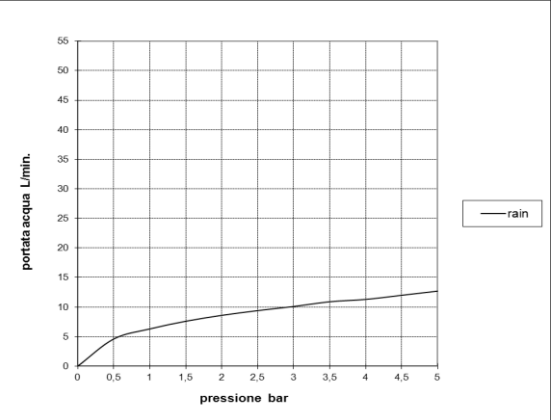


BOSSINI		SCHEDA TECNICA TECHNICAL SHEET		Date: 12/05/2016	Rev/0																										
Codice / Code: B00427		Descrizione / description: Doccia a pulsante in ottone Brass shut-off handspray																													
Foto / image		Disegni / drawings																													
																															
Grafico di portata / Flow rate diagram																															
<table border="1"> <thead> <tr> <th></th> <th>rain</th> </tr> </thead> <tbody> <tr><td>0</td><td>0</td></tr> <tr><td>0,5</td><td>4,6</td></tr> <tr><td>1</td><td>6,3</td></tr> <tr><td>1,5</td><td>7,6</td></tr> <tr><td>2</td><td>8,6</td></tr> <tr><td>2,5</td><td>9,4</td></tr> <tr><td>3</td><td>10,1</td></tr> <tr><td>3,5</td><td>10,9</td></tr> <tr><td>4</td><td>11,3</td></tr> <tr><td>4,5</td><td>12</td></tr> <tr><td>5</td><td>12,7</td></tr> <tr> <td>pressione bar</td> <td>portata L/min</td> </tr> </tbody> </table>			rain	0	0	0,5	4,6	1	6,3	1,5	7,6	2	8,6	2,5	9,4	3	10,1	3,5	10,9	4	11,3	4,5	12	5	12,7	pressione bar	portata L/min				
	rain																														
0	0																														
0,5	4,6																														
1	6,3																														
1,5	7,6																														
2	8,6																														
2,5	9,4																														
3	10,1																														
3,5	10,9																														
4	11,3																														
4,5	12																														
5	12,7																														
pressione bar	portata L/min																														
MATERIALI / materials																															
Brass body, head and connector; Plastic (ABS) diffuser; Rubber (NBR) gaskets; other components in stainless steel and brass.																															
CARATTERISTICHE IDRAULICHE / hydraulic features																															
	pressione pressure	portata flow rate	temperatura temperature	solo per miscelatori termostatici only for thermostatic mixers																											
min	1 bar	--	--	Blocco di sicurezza safety lock	/																										
max	5 bar	--	<70°C	Temperatura acqua fredda cold water temperature	/																										
consigliata recommended	2-3 bar	5 L/min	<42°C	Temperatura acqua calda hot water temperature	/																										
CERTIFICAZIONI / CERTIFICATIONS: ACS (FRA); WELS PUB [1 thick] (SGP).																															
CONFORMITA' / CONFORMITY : EN 1112; Chrome plating - EN 248.																															