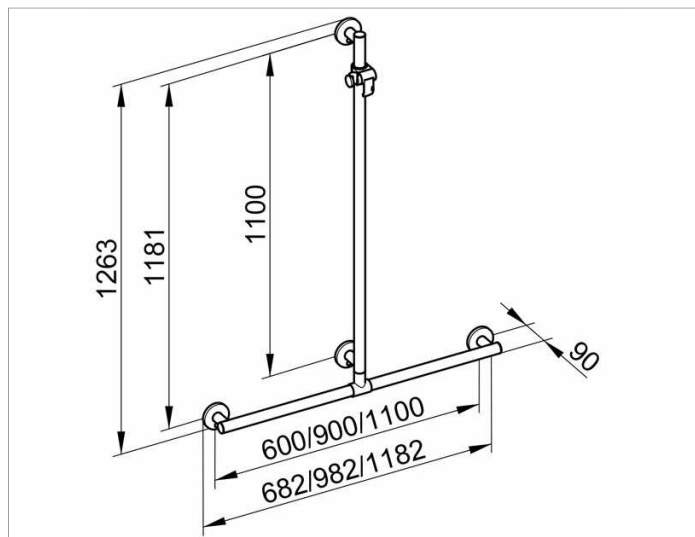


Plan Care**34914010611** Поручень вдоль стены и штанга для душа**ИЗДЕЛИЕ****ЧЕРТЕЖ****ОПИСАНИЕ ИЗДЕЛИЯ**

в комплекте с держателем душевой лейки
устанавливаемая по выбору справа или слева
положение душ.штанги
перед монтажом произвольное

поверхность

хром

Габариты

682/1263 mm

спецификации

KEUCO PLAN CARE shower rail,
T-Shape,
with Shower rail 34914010611,
high shine chrome-plated,
complete with shower bracket
flexible positioning of sliding rail
prior to final installation
in esthetic, practical and ergonomic Design
as Support help and up to 115 kg load capacity,
anti-static,
easy to clean
Base measurement:
Horizontal 600 mm, vertical 1100 mm
Pipe diameter 33 mm,
4 Rosettes Diameter 82 mm
Measurements: 682/1263 mm
Projection 90 mm,
Wall distance 57 mm

May be combined with tip-up seat with backrest
(Art. no. 34981) or spray guard (Art. no. 34940)

Included in delivery:
4 x mounting set1 (Art. no. 34990000100)

Further mounting sets
(depending on type of wall):
4 x mounting set 4 (Art. no. 34990 000200), or
4 x mounting set 7 (Art. no. 34993 000200)
Please order additionally!