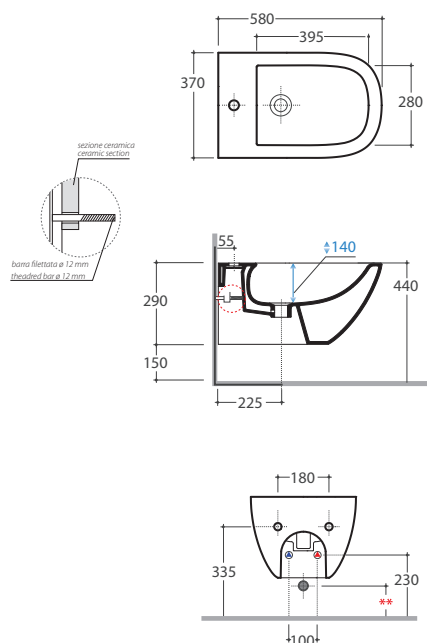


STOCKHOLM WALL-HUNG BIDET LAS09BI

CE EN 14528:2015

GLOBO



Ceramic antibacterial effect
BATAFORM®



Glazed product with
CERASLIDE®

Cod. **LAS09BI**

Wall-hung bidet 58.37 h29 cm. Fixing kit included. Weight 20 Kg

**For installation with:
Siphon "S"-140 mm
Siphon SF052- 120 mm



Cod. **FI012BI**

Push open valve drain with ceramic top for bidet. Weight 0,5 Kg



Cod. **FI012CR**

Push open chromed valve drain for bidet. Weight 0,5 Kg



Cod. **PU001**

Acoustic and crash protection.



Cod. **FI002**

Fixing brackets for W/H sanitary. Weight
2,5 Kg