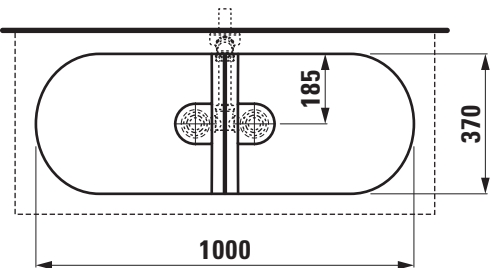
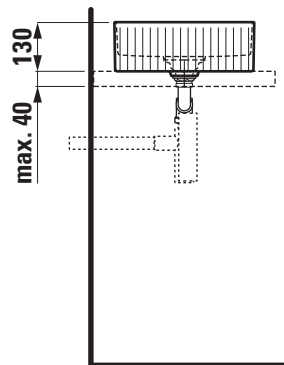
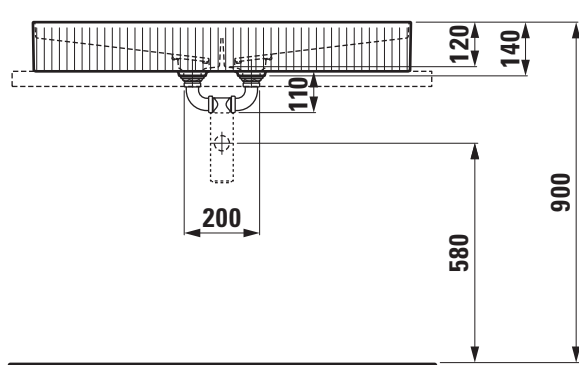


with design siphon DN32 LAUFEN 37498.0



only for space saving siphon DN32 LAUFEN 89424.0  
in combination with vanity unit 40905.3

