

# SET SONAR SAPHIRKERAMIK

## Double washbasin bowl

81234.8



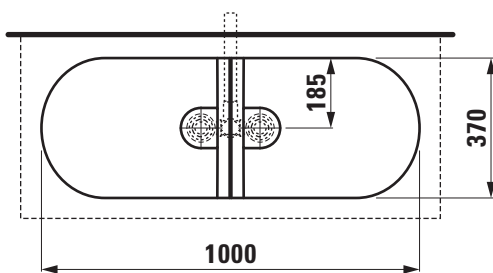
### TECHNICAL DATA

|                     |   |
|---------------------|---|
| Order no.           | 81234.8   |
| Certified to        | EN 31   |
| Dimensions          | 1000 x 370 mm   |
| Basin capacity      | per basin 4.9 litre   |
| Specification       | Charge 112 – without tap holes, without overflow  |
| Weight              | 17,5kg  |
| Accessories incl.   | 2x SaphirKeramik valve cover plate, order no. 89334.3   |
| Mounting acc. incl. | Charge 112 – 2x valve without overflow always open, order no. 89334.4<br>Waste connection set LAUFEN, order no. 89434.3<br>Fastening kit, order no. 89496.1 |
| Mounting acc. excl. | Design siphon with siphon cover DN 32 chrome, order no. 37498.0<br>Space saving siphon DN 32, order no. 89424.0   |
| Colours             | see colour table  |

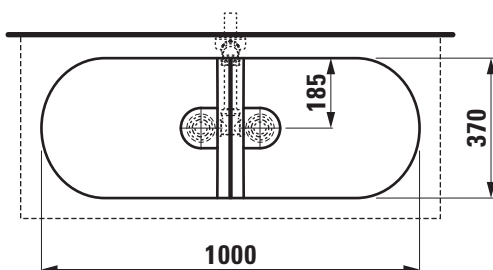
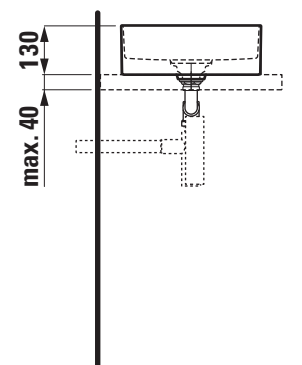
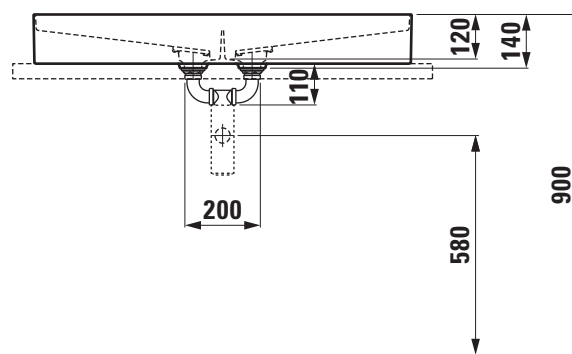
### SPECIFICATION TEXT

Double washbasin bowl Laufen-SONAR, SaphirKeramik  
EN 31  
dimensions 1000 x 370 mm  
without tap holes, without overflow, valve without overflow always open, SaphirKeramik valve cover plate  
Further options / accessories: Surface refinement LCC (only white), bathtubs  
Order no. 81234.8

### TECHNICAL DRAWINGS / S 1 : 20



with design siphon DN32 LAUFEN 37498.0



only for space saving siphon DN32 LAUFEN 89424.0  
in combination with vanity unit 40905.3

