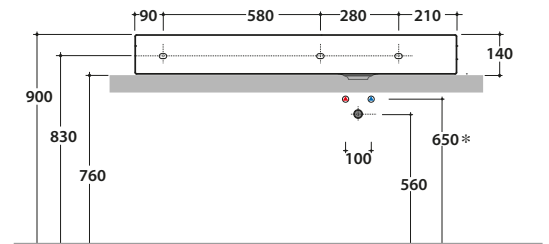
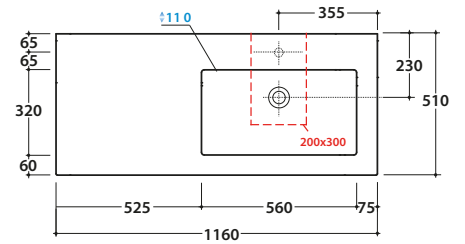


INCANTHO BASIN IN116DABI

CE EN 14688:2015

GLOBO



* For taps mounted on counter top



Ceramic antibacterial effect
BATAFORM®



Glazed product with
CERASLIDE®



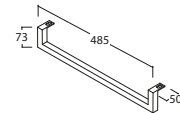
Le Pietre

Cod. **IN116DABI**

Basin 116.51 h 14 cm. Arranged one tap hole. RH sink. Provided with overflow hole. Wall-hung installation or on base. Fixing kit included. Weight 40 kg.

Cod. **POLCR**

Brass towel rail for wall hung washbasin



Cod. **FI012BI**

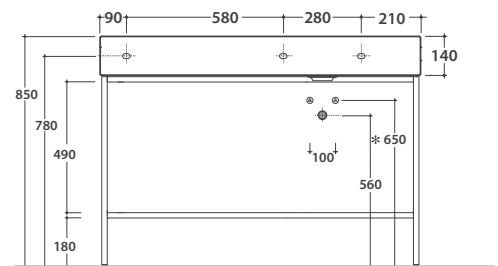
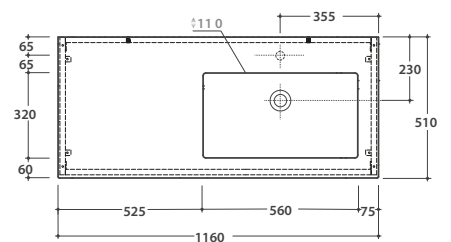
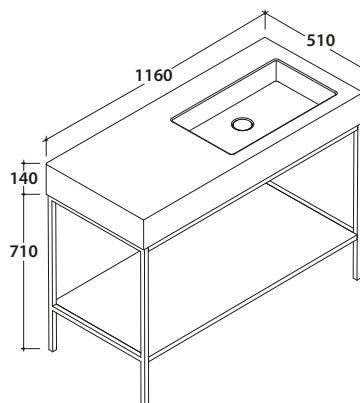
Push open valve drain with ceramic top for basins with overflow. Weight 0,5 Kg

Structure in metal 115.50 h 71 cm. Weight 16 Kg

TL115BO
Matt white

TL115GO
Matt grey

TL115RU
Rust



* For taps mounted on counter top

Steel towel rail for wash basin structure

POSBO
Matt white

POSGO
Matt grey

POSRU
Rust

