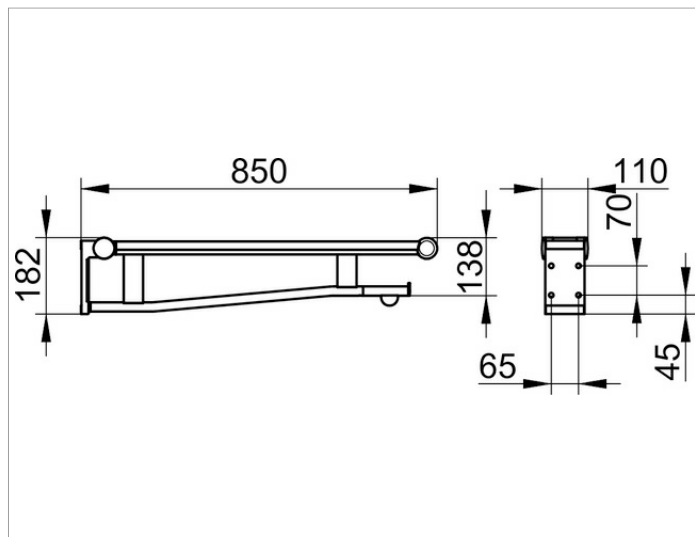


Plan Care

34903170837 Настенный поручень для туалета

ИЗДЕЛИЕ**ЧЕРТЕЖ****ОПИСАНИЕ ИЗДЕЛИЯ**

откидывается вверх, исполнение с ограничением хода, верх поручня имеет пластиковую оболочку, со съемным держателем туалетной бумаги (с роликовым ограничителем)

поверхность

алюминий серебристый анодированный (E6 Етемно-серый (RAL 702

Габариты

850 mm

спецификации

KEUCO PLAN Pivoted supporting rail for WC 34903170837
 Pivoted supporting rail for WC in aluminium silver anodized with Plastic covered Surface area
 in esthetic, practical and ergonomic Design with synthetic covered support, dark-grey (RAL 7021), movable to vertical position, braked version with removable toilet paper holder (with roll brake) anti-static
 Width Surface area with anti-slip, elegant, tactile and optical contrasting Handle
 Underneath as Hand towel holder useable
 Projection 850 mm
 Width Wall plate 110 mm,
 Height Wall plate 182 mm
 Load capacity up to 100 kg
 The Handle is Type approved
 Wall support grip will be at 4 places discretely mounted

It's essential for installation to order the correct screws/bolts depending on type of wall:

2 x Mounting-Set 2 (item no. 34991000100) or
 2 x Mounting-Set 5 (item no. 34991000200) or
 2 x Mounting-Set 8 (item no. 34994000200) or
 1 x Mounting-Set 10 (item no. 34996000100)

Please order separately!