

Ecostat Element

Bath thermostat for exposed installation

Finish: **Matt Black** Article Number: **13347670**



Description

product features

- projection 177 mm
- 2 functions
- temperature and water flow control
- thermostat cartridge, shut-off/ diverter valve
- spray type mixer: normal spray
- maximum flow rate at 3 bar: 20 l/min
- flow rate for bath spout at 3 bar: 20 l/min
- flow rate of hand shower at 3 bar: 16 l/min
- min. operating pressure: 1 bar
- max. operating pressure: 10 bar
- Safety stop at 40 °C
- temperature limitation adjustable
- non-return valve
- protected against backflow, according to DIN EN 1717
- with silencer
- material handles: metal
- connection dimension: DN15
- connection type: s-shaped connections, G 1/2
- centre distance: 150 ± 12 mm
- dirt filter included

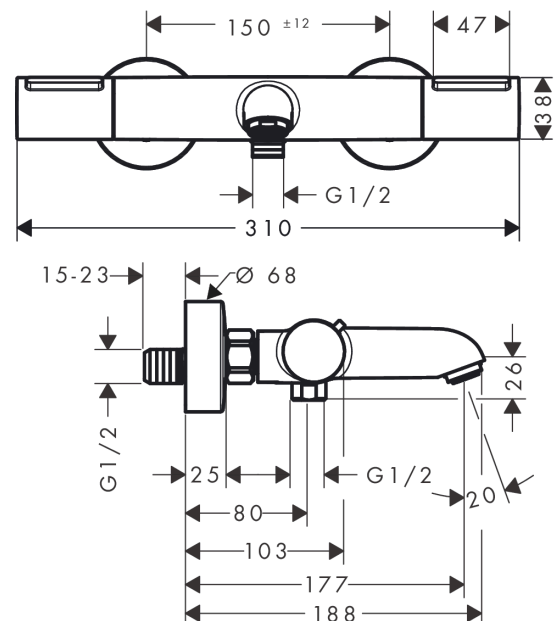
Technology



Product image



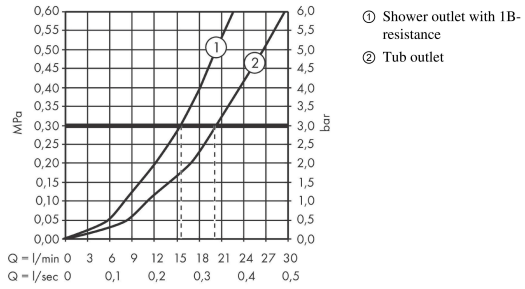
Scale drawing



Ecostat Element
Bath thermostat for exposed installation
 Finish: **Matt Black** Article Number: **13347670**



Flowchart

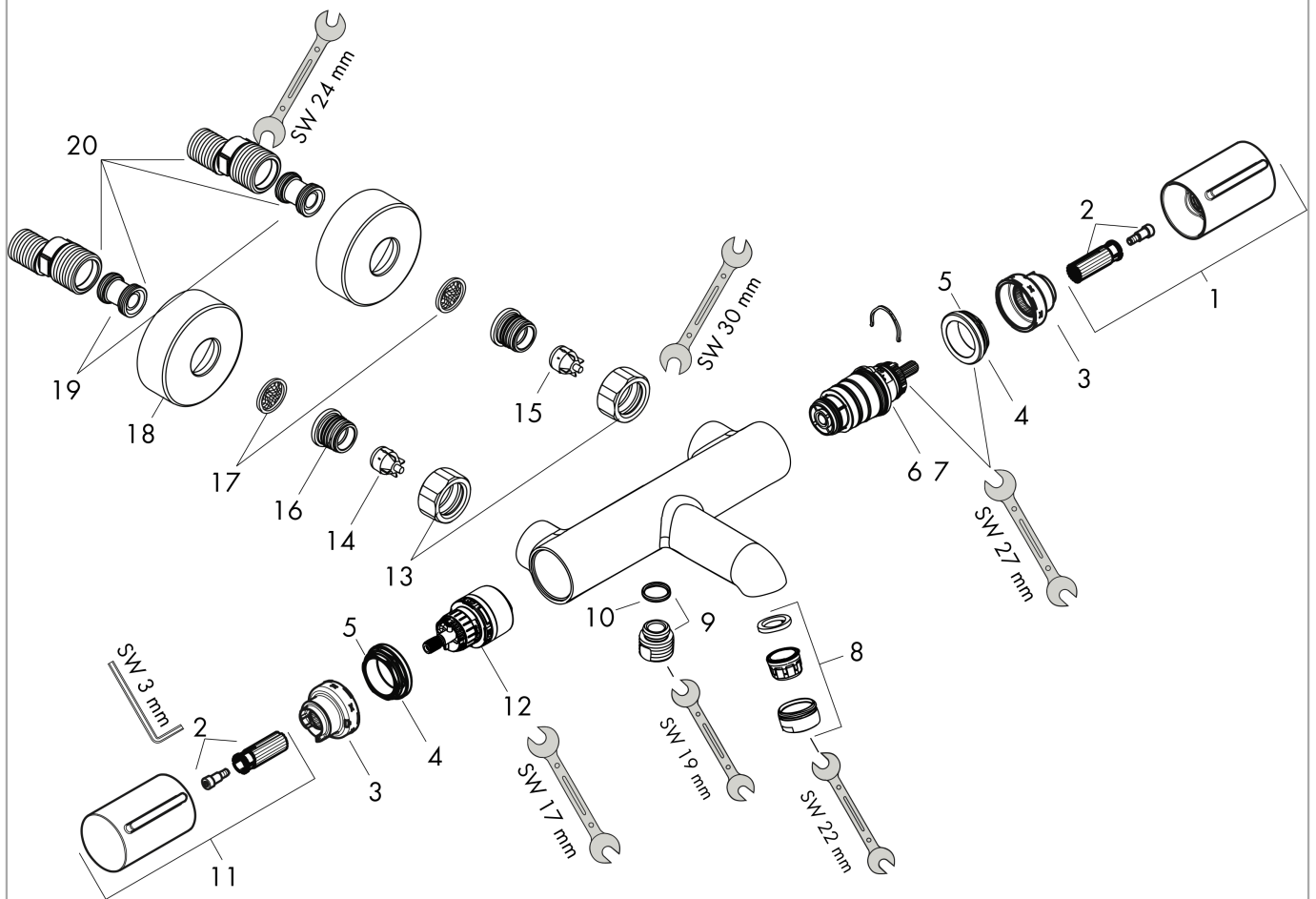


Ecostat Element
Bath thermostat for exposed installation
 Finish: **Matt Black** Article Number: **13347670**



Exploded Drawing

Year of production: >04/24



Ecostat Element
Bath thermostat for exposed installation
 Finish: **Matt Black** Article Number: **13347670**



Spare part list

Year of production: >04/24

| Pos. | Description | Article Number | PC | PU |
|------|---|----------------|----|----|
| 1 | handle for thermostat | 87705670 | 58 | 1 |
| 2 | handle fixing set | 95843000 | 3 | 1 |
| 3 | safety set | 87708000 | 3 | 1 |
| 4 | nut | 98913000 | 6 | 1 |
| 5 | O-ring 26x1,5 | 98390000 | 1 | 1 |
| 6 | thermostat cartridge | 98282000 | 14 | 1 |
| 7 | cartridge for exchanged connections | 92373000 | 18 | 1 |
| 8 | aerator M24x1 (30 l/min) | 96512670 | 55 | 1 |
| 9 | connecting thread | 95392000 | 6 | 1 |
| 10 | O-ring 14x2 | 98129000 | 1 | 1 |
| 11 | handle | 87704670 | 60 | 1 |
| 12 | shut off unit with selector | 98283000 | 12 | 1 |
| 13 | set of nuts | 96157670 | 58 | 1 |
| 14 | non return valve (pressure-resistant up to 2 MPa) | 93136000 | 8 | 1 |
| 15 | non return valve | 96737000 | 8 | 1 |
| 16 | O-ring 17x1,5 | 98137000 | 1 | 1 |
| 17 | filter packing | 96922000 | 3 | 1 |
| 18 | escutcheon Ø 68 mm | 96467670 | 56 | 1 |
| 19 | noise reduction | 96429000 | 2 | 1 |
| 20 | set of S-unions (±12 mm) | 94140000 | 10 | 1 |
| a | set of S-unions (±32 mm) | 98592000 | 9 | 1 |
| b | brake disc | 92469000 | 3 | 1 |