

SCHEDA TECNICA - TECHNICAL SHEET

07/03/2025

Rev: 0

Codice - Code:

Z00903

PLY single lever mixer Ø32 (Tall) for wash basins

Descrizione - Description:

Miscelatore PLY monocomando lavabo Ø32 (Tall), bocca girevole con aeratore M16,5x1. Scarico 1"1/4 click-clack e flessibili inox 3/8" F

PLY single lever basin mixer Ø32 (Tall), orientable spout with M16,5x1 aerator. 1"1/4 click-clack waste and 3/8" F stainless steel flexible hoses

Tecnologia - Technology:



PLY Einhebel Waschtischmischer Ø32 (Tall), Einstellbarer Rohrauslauf mit Strahlregler M16,5x1 und Ablaufventil 1"1/4, 3/8" iG Schläuche aus Edelstahl

Mitigeur monocommande PLY lavabo Ø32 (Tall), bec distribution orientable avec aérateur M16,5x1. Vidage 1"1/4 et flexibles en acier inoxydable 3/8" F

Mezclador monomando PLY lavabo Ø32 (Tall), boca de erogacion ajustable con aireador M16,5x1. Desagüe 1"1/4 y flexibles en acero inox 3/8" F

Смеситель монорычажный PLY для раковины Ø32 (Tall), Регулируемый выпускной патрубок с аэратором M16,5x1. Донный клапан 1"1/4 и гибкая подводка из нерж. стали 3/8" F

Immagine Prodotto - Product Image



Disegni - Drawings

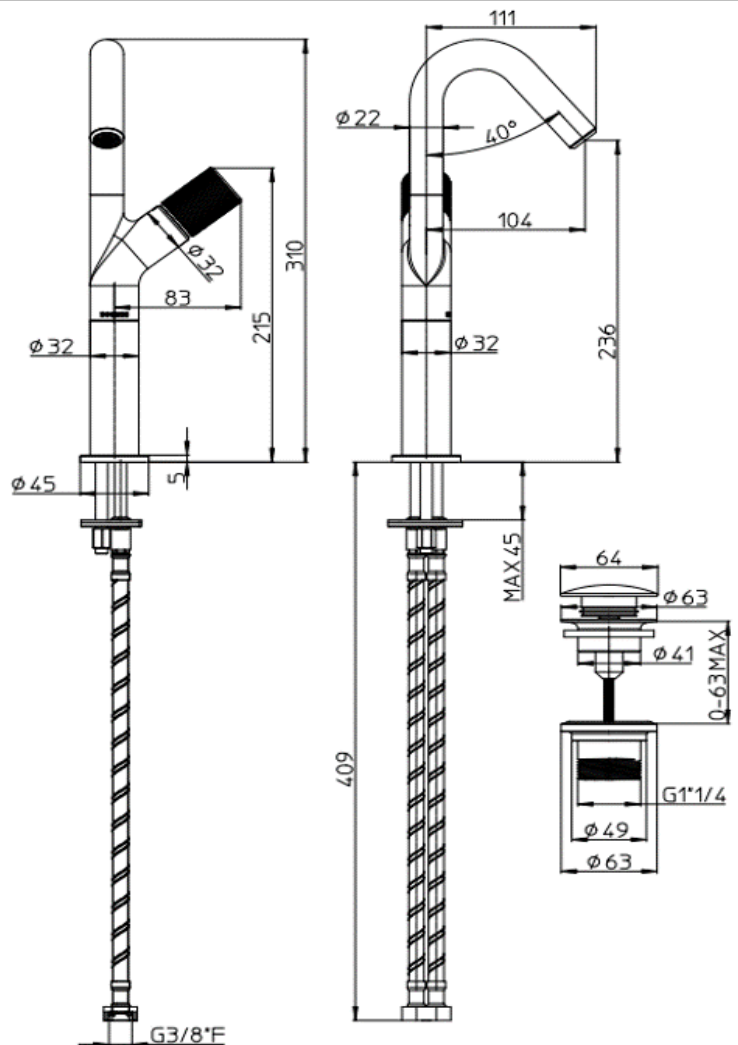
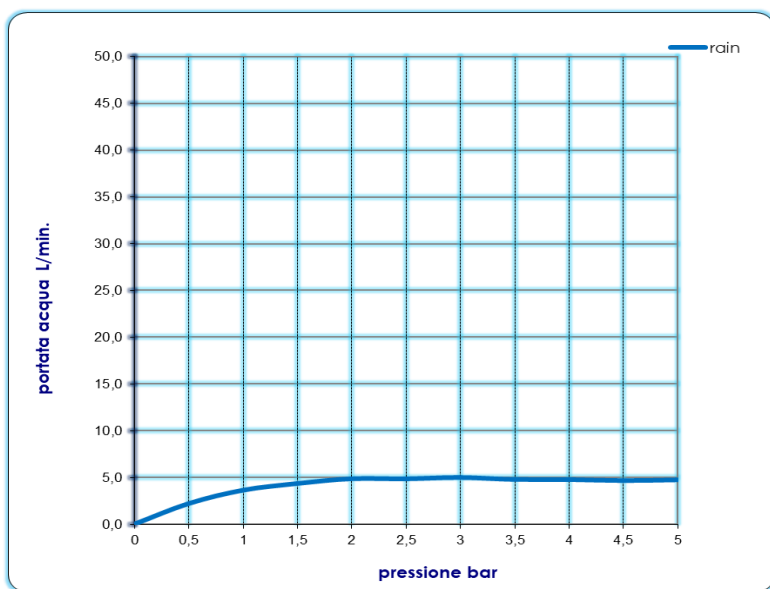


Grafico di portata - Flow rate diagram

	rain
0	0,0
0,5	2,2
1	3,6
1,5	4,4
2	4,9
2,5	4,9
3	5,0
3,5	4,8
4	4,8
4,5	4,7
5	4,8
pressione bar	portata L/min

**Portata determinata con miscelazione 50/50
calda e fredda**



Caratteristiche idrauliche - Hydraulic features

	Pressione Pressure	Portata Flow rate
min	1 bar	3,6 L/min
max	5 bar	4,8 L/min
Portata minima consigliata per buon funzionamento <i>Recommended minimum flow-rate for optimal performance</i>		--

Solo per miscelatori termostatici Only for thermostatic mixers	
Blocco di sicurezza Safety lock	--
Temperatura acqua fredda Cold water temperature	--
Temperatura acqua calda Hot water temperature	--

Materiali - Materials

Miscelatore: Corpo e canna in ottone
Manopola: Zama
Basetta: Zama

Mixer : Brass body and spout
Handle : Zamak alloy
Washbasin rosette : Zamak alloy

Certificazioni - Certifications

Conformità - Conformity

Mixer - EN817; Chrome plating - EN 248