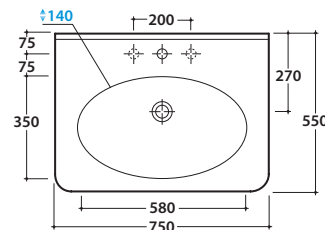


# PAESTUM BASIN PA028BI

CE EN 14688:2015

# GLOBO



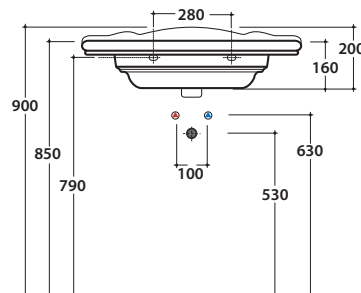
Ceramic antibacterial effect  
BATAFORM®



Glazed product with  
CERASLIDE®

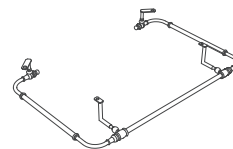
Cod. **PA028BI**

Basin 75.55 h20 cm. Wall-hung installation. Fixing kit included. Weight 22Kg



Cod. **PAPC28**

Front brass chromium-plated towel rail. Weight 2 Kg



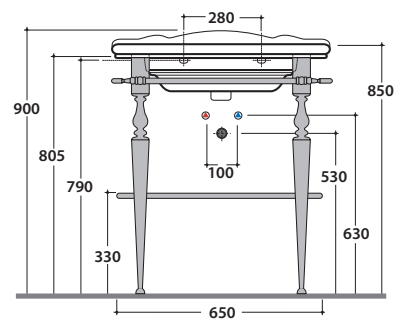
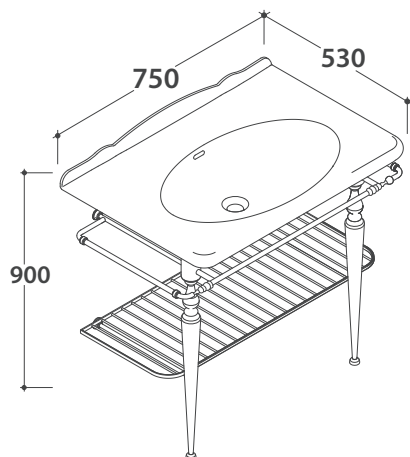
Cod. **FI012BI**

Push open valve drain with ceramic top for basins with overflow. Weight 0,5 Kg



Cod. **FI012CR**

Push open chromed valve drain for basins with overflow. Weight 0,5 Kg



Cod. **PATC28**

Brass chromium-plated floor-mounted structure 79.53 h82, for basin PA028. Weight 12 Kg