

Ecostat Element

Bath thermostat for exposed installation

Finish: **Chrome** Article Number: **13347000**



Description

product features

- projection 177 mm
- 2 functions
- temperature and water flow control
- thermostat cartridge, shut-off/ diverter valve
- spray type mixer: normal spray
- maximum flow rate at 3 bar: 20 l/min
- flow rate for bath spout at 3 bar: 20 l/min
- flow rate of hand shower at 3 bar: 16 l/min
- min. operating pressure: 1 bar
- max. operating pressure: 10 bar
- Safety stop at 40 °C
- temperature limitation adjustable
- non-return valve
- protected against backflow, according to DIN EN 1717
- with silencer
- material handles: metal
- connection dimension: DN15
- connection type: s-shaped connections, G 1/2
- centre distance: 150 ± 12 mm
- dirt filter included

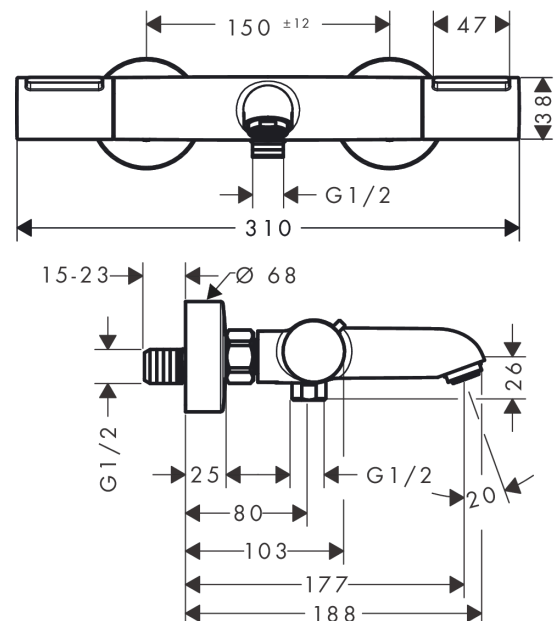
Technology



Product image



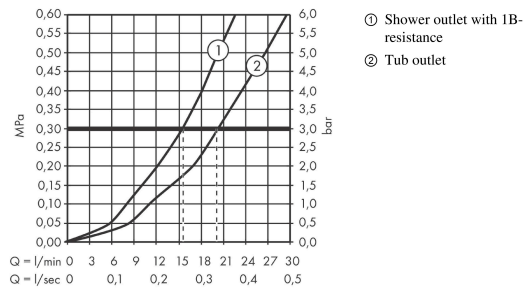
Scale drawing



Ecostat Element
Bath thermostat for exposed installation
 Finish: **Chrome** Article Number: **13347000**



Flowchart

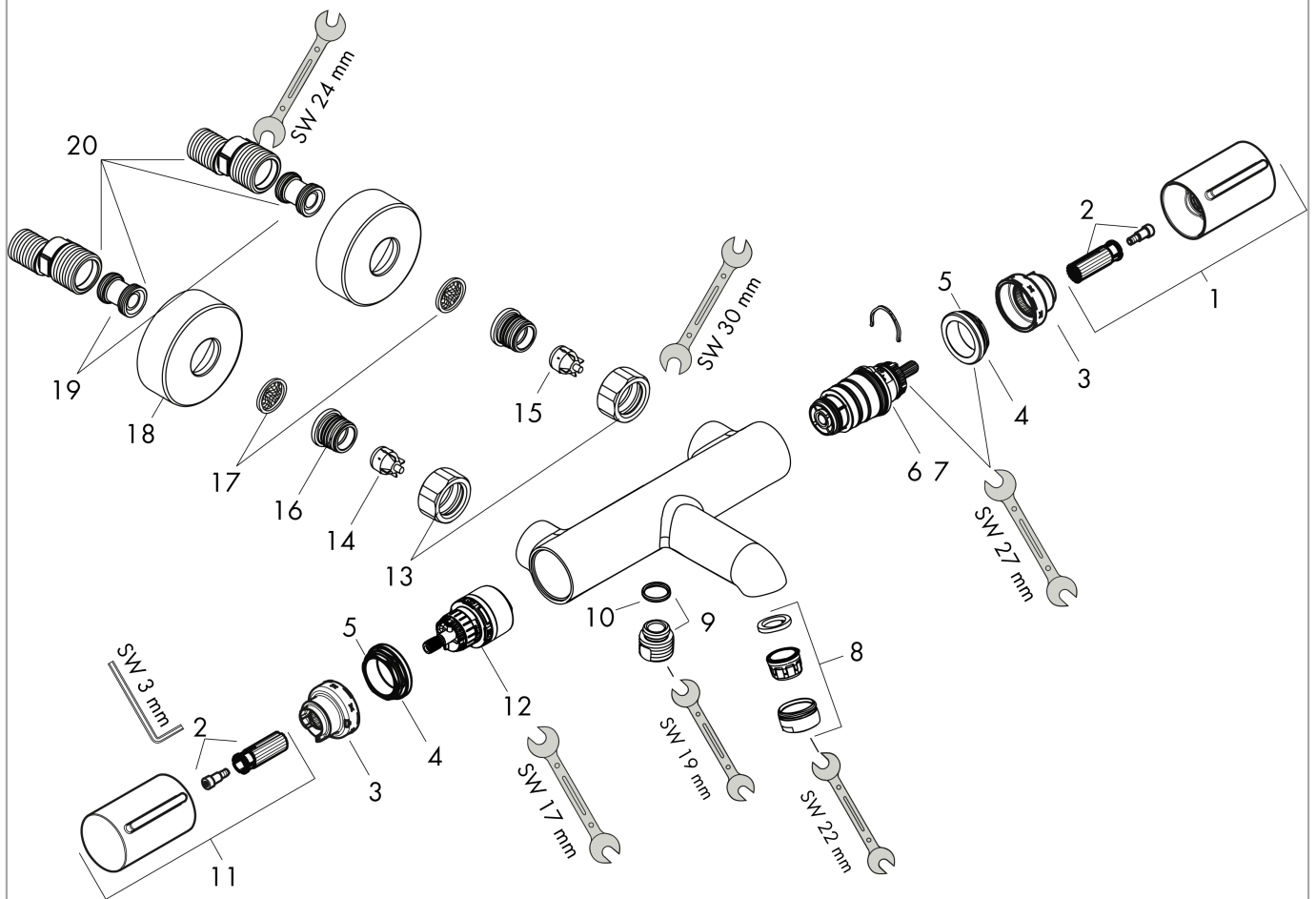


Ecostat Element
Bath thermostat for exposed installation
 Finish: **Chrome** Article Number: **13347000**



Exploded Drawing

Year of production: >04/24



Ecostat Element
Bath thermostat for exposed installation
 Finish: **Chrome** Article Number: **13347000**



Spare part list

Year of production: >04/24

Pos.	Description	Article Number	PC	PU
1	handle for thermostat	87705000	8	1
2	handle fixing set	95843000	3	1
3	safety set	87708000	3	1
4	nut	98913000	6	1
5	O-ring 26x1,5	98390000	1	1
6	thermostat cartridge	98282000	14	1
7	cartridge for exchanged connections	92373000	18	1
8	aerator M24x1 (30 l/min)	96512000	5	1
9	connecting thread	95392000	6	1
10	O-ring 14x2	98129000	1	1
11	handle	87704000	10	1
12	shut off unit with selector	98283000	12	1
13	set of nuts	96157000	8	1
14	non return valve (pressure-resistant up to 2 MPa)	93136000	8	1
15	non return valve	96737000	8	1
16	O-ring 17x1,5	98137000	1	1
17	filter packing	96922000	3	1
18	escutcheon Ø 68 mm	96467000	6	1
19	noise reduction	96429000	2	1
20	set of S-unions (±12 mm)	94140000	10	1
a	set of S-unions (±32 mm)	98592000	9	1
b	brake disc	92469000	3	1