



TECHNICAL DATA

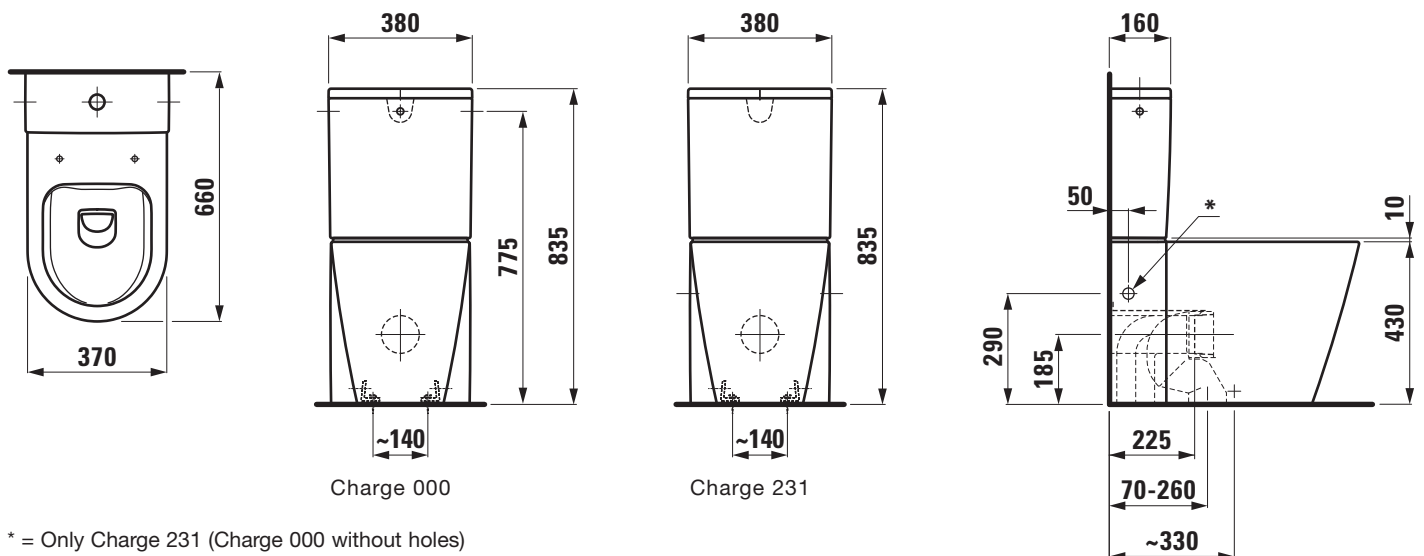
Order no.	82433.1
Certified to	EN 997 / EN 33
Specification	rimless Washdown for 5/3-l-flush Charge 000 – 2 fixing holes, without lateral holes
Special specification	Charge 231 – 2 fixing holes, with lateral holes
Outlet	horizontal VARIO, vertical 70 - 260 mm
Weight	33,5 kg
Accessories excl.	Charge 000 – Cistern, order no. 82933.1, 82933.2 Charge 231 – Cistern, order no. 82933.3, 82933.5 WC seat and cover, order no. 89133.0 WC seat and cover with automatic lowering system, order no. 89133.1
Mounting acc. incl.	Fixing set, order no. 89175.7

Mounting acc. excl.	for VARIO-outlet 70 - 205 mm LAUFEN-connection, order no. 89009.2 for VARIO-outlet 220 - 260 mm only LAUFEN-connection, order no. 89902.5
Colours	see colour table

SPECIFICATION TEXT

Floorstanding WC pan rimless washdown KARTELL BY LAUFEN, sanitary ceramic, for cistern, EN 997, EN 33 5/3-l-flush, dimensions 370 x 660 x 440 mm outlet horizontal, VARIO vertical 70 - 260 mm back to wall, concealed fixation, 2 fixing holes
Special feature: rimless, concealed surfaces directing water are fully glazed throughout, vacuum checked
Further options / accessories: Surface refinement LCC (only white), 2 lateral holes (option 231), cistern 82933.1 (option 000), 82933.1 (option 231), WC seat and cover 89133.0, WC seat and cover with automatic lowering 89133.1
Order no. 82433.1

TECHNICAL DRAWINGS / S 1 : 20



* = Only Charge 231 (Charge 000 without holes)