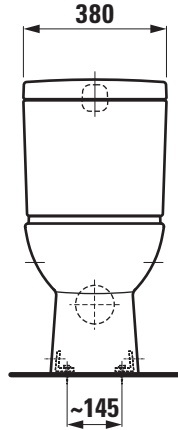
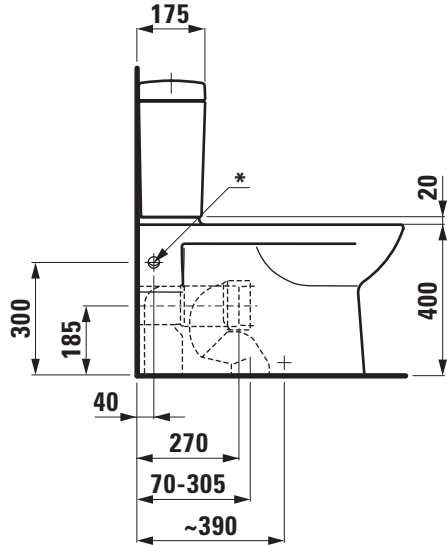


Charge 000/204



Charge 231



\* = Only Charge 231 (Charge 000 and 204 without holes)