



**BOSSINI**  
HIGH QUALITY SHOWER SYSTEMS

**SCHEDA TECNICA - TECHNICAL SHEET**

01/12/2023

Rev: 0

**Codice - Code:**

**INZ214**

Concealed parts with thermostatic mixer, 2-ways diverter and bathtub spout or handshower connection

**Descrizione - Description:**

Incasso a parete con miscelatore termostatico coassiale, deviatore due vie e attacco per bocca vasca o doccetta, connessioni G1/2" femmina

*Concealed part for wall installation with thermostatic coaxial mixer, 2-ways diverter, bathtub spout or handshower connections, 1/2" F GAS inlets*

**Tecnologia - Technology:**



*Unterputz Einbaukörper für Thermostat Wandeinbau Mischer mit 2-Wege Umsteller, Verbindungen Wannenauslauf oder Handbraus, 1/2"iG GAS Verbindungen*

*Parties à encastrer au mur avec mitigeur thermostatique coaxial complet d'inverseur 2 voies, connexion pour bec baignoire ou douchette, raccords 1/2 "F GAS*

*Partes de empotrado en pared para termostático coaxial, con desviador de 2 vías, conexión para boca de erogación o mango de ducha, conexiones 1/2 "H GAS*

*Смеситель термостатического встраиваемый с девиатором 2 направления, с соединением для излива на ванну и душ, подключение 1/2" F*

**Immagine Prodotto - Product Image**



**Disegni - Drawings**

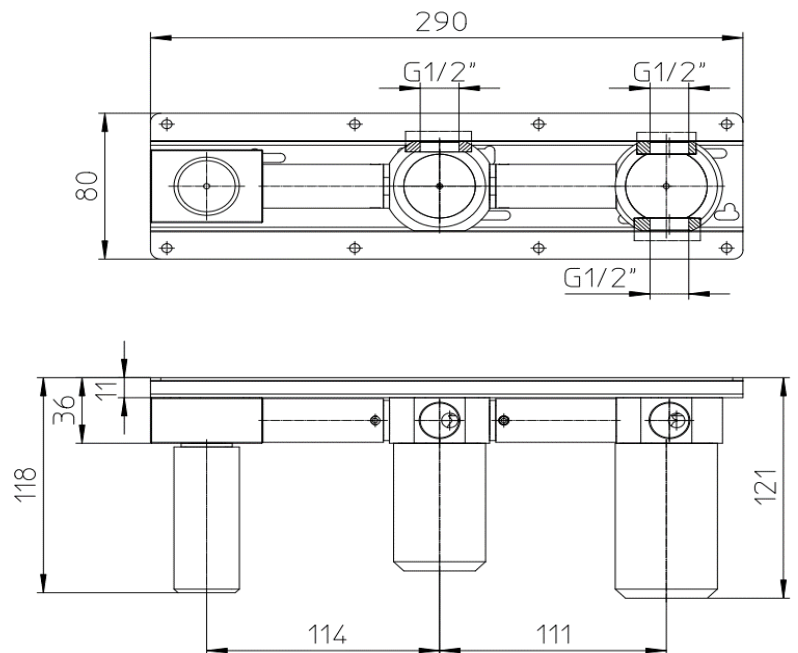
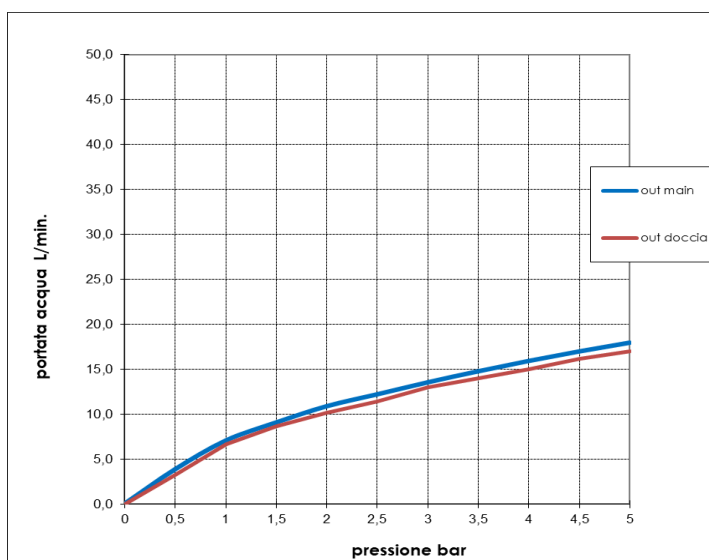


Grafico di portata - Flow rate diagram

	out main	out doccia
0	0,0	0,0
0,5	3,8	3,2
1	7,0	6,6
1,5	9,1	8,6
2	10,9	10,2
2,5	12,2	11,4
3	13,5	13,0
3,5	14,8	14,0
4	15,9	15,0
4,5	17,0	16,2
5	17,9	17,0
pressione <b>bar</b>	portata <b>L/min</b>	

Portata determinata con temperatura regolata a 38°C

Flow rate measured with temperature set up at 38°C



Caratteristiche idrauliche - Hydraulic features

	Pressione Pressure	Portata Flow rate	Solo per miscelatori termostatici Only for thermostatic mixers	
min	1 bar	<b>6,6 L/min</b>	Blocco di sicurezza Safety lock	<b>38 °C</b>
max	5 bar	<b>17,9 L/min</b>	Temperatura acqua fredda Cold water temperature	<b>≤ 25°C</b>
Portata minima consigliata per buon funzionamento Recommended minimum flow-rate for optimal performance			Temperatura acqua calda Hot water temperature	<b>55°C ≤ T ≤ 65°C</b>

Materiali - Materials

**Corpo incasso:** Acciaio Inox AISI 316L  
**Staffa di supporto:** Acciaio inox  
**Concealed part body:** Stainless steel AISI 316L  
**Mounting plate:** Stainless steel

Certificazioni - Certifications

Conformità' - Conformity