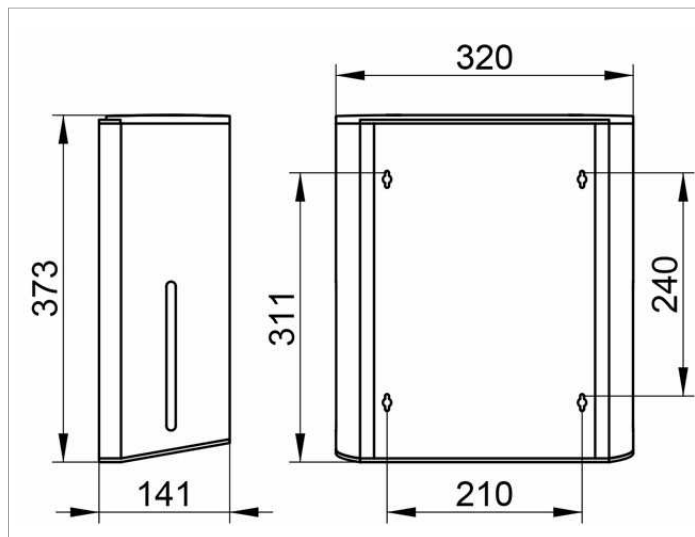


Plan  
14985170000 Дозатор бумажных полотенец

ИЗДЕЛИЕ



ЧЕРТЕЖ



поверхность

алюминий серебристый анодированный (E6 E

спецификации

KEUCO PLAN paper towel dispenser 14985170000  
aluminium silver anodized (E6 EV1) paper towel dispenser,  
wall mounted model for installation in the public domain  
for folded paper towels, length from 9-8/16 up to 10", width from 3-  
15/16" up to 4-6/8",  
height 14-9/16", width 12-5/8", projection 5-9/16",  
The paper towel dispenser is fitted with 4 hidden fixing points  
incl. corrosion-free mounting material