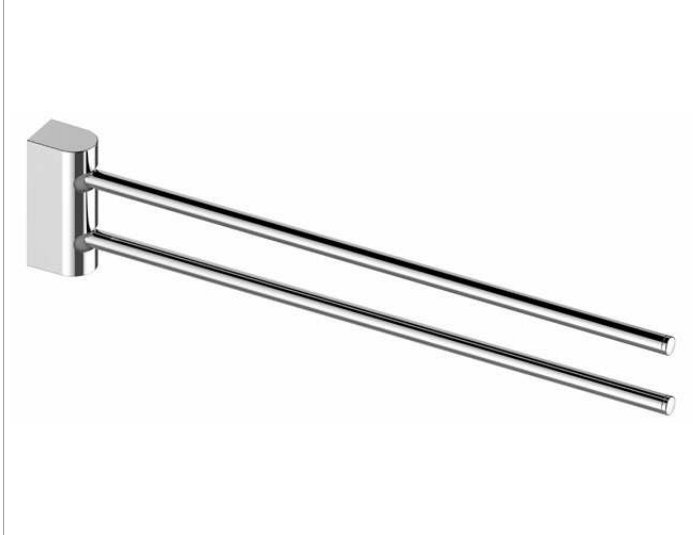
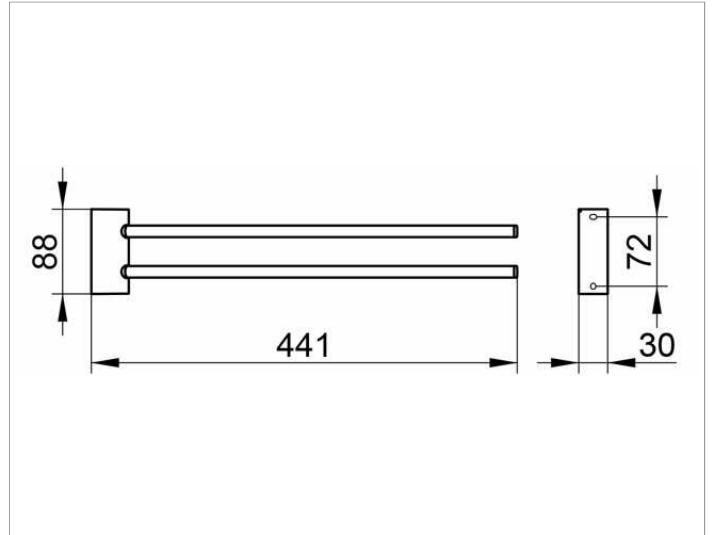


Smart.2  
14718010000 Towel holder

**PRODUCT**



**DRAWING**



**PRODUCT ATTRIBUTES**

two arms, swiveling

**SURFACE**

chrome-plated

**DIMENSION**

440 mm