
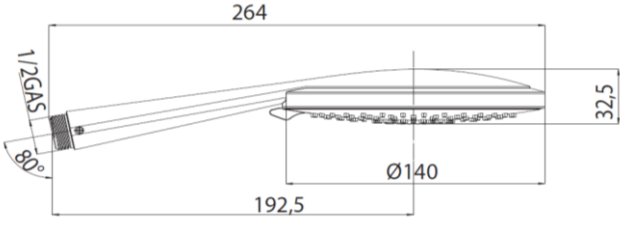
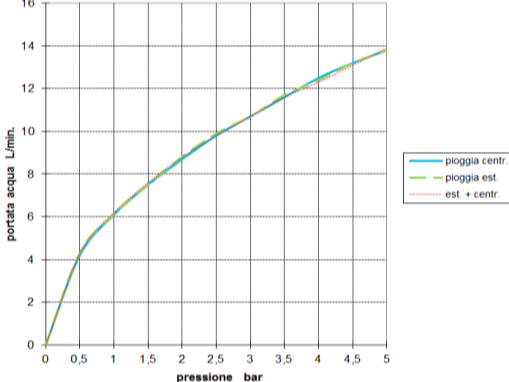


| BOSSINI | | SCHEDA TECNICA TECHNICAL SHEET | | Date: 18/07/2017 | Rev/0 | | | | | | | | | | | | | | | | | | | | | | | | | | | | | | | | | | | | | | | | | | | | | | | | |
|--|-----------------------|--|----------------------------|---|---------------|---|---|---|---|-----|-----|-----|-----|---|-----|-----|-----|-----|-----|-----|-----|---|-----|-----|-----|-----|-----|-----|-----|---|------|------|------|-----|------|------|------|---|------|------|------|-----|------|------|------|---|------|------|------|--|--|--|--|
| Codice / Code: B00168 | | Descrizione / description: Doccia 3 getti Ø 140 mm - con sistema Fitair 3 function handshower Ø 140 mm - with Fitair system | | | | | | | | | | | | | | | | | | | | | | | | | | | | | | | | | | | | | | | | | | | | | | | | | | | |
| Foto / image | | Disegni / drawings | | | | | | | | | | | | | | | | | | | | | | | | | | | | | | | | | | | | | | | | | | | | | | | | | | | |
|  | |  | | | | | | | | | | | | | | | | | | | | | | | | | | | | | | | | | | | | | | | | | | | | | | | | | | | |
| Grafico di portata / Flow rate diagram | |  | | | | | | | | | | | | | | | | | | | | | | | | | | | | | | | | | | | | | | | | | | | | | | | | | | | |
| <table border="1"> <thead> <tr> <th></th> <th>pioggia centr.</th> <th>pioggia est.</th> <th>est. + centr.</th> </tr> </thead> <tbody> <tr><td>0</td><td>0</td><td>0</td><td>0</td></tr> <tr><td>0,5</td><td>4,2</td><td>4,3</td><td>4,3</td></tr> <tr><td>1</td><td>6,1</td><td>6,1</td><td>6,2</td></tr> <tr><td>1,5</td><td>7,5</td><td>7,5</td><td>7,6</td></tr> <tr><td>2</td><td>8,7</td><td>8,8</td><td>8,8</td></tr> <tr><td>2,5</td><td>9,8</td><td>9,9</td><td>9,8</td></tr> <tr><td>3</td><td>10,7</td><td>10,7</td><td>10,7</td></tr> <tr><td>3,5</td><td>11,6</td><td>11,7</td><td>11,6</td></tr> <tr><td>4</td><td>12,5</td><td>12,4</td><td>12,3</td></tr> <tr><td>4,5</td><td>13,2</td><td>13,2</td><td>13,1</td></tr> <tr><td>5</td><td>13,8</td><td>13,8</td><td>13,9</td></tr> </tbody> </table> | | | pioggia centr. | pioggia est. | est. + centr. | 0 | 0 | 0 | 0 | 0,5 | 4,2 | 4,3 | 4,3 | 1 | 6,1 | 6,1 | 6,2 | 1,5 | 7,5 | 7,5 | 7,6 | 2 | 8,7 | 8,8 | 8,8 | 2,5 | 9,8 | 9,9 | 9,8 | 3 | 10,7 | 10,7 | 10,7 | 3,5 | 11,6 | 11,7 | 11,6 | 4 | 12,5 | 12,4 | 12,3 | 4,5 | 13,2 | 13,2 | 13,1 | 5 | 13,8 | 13,8 | 13,9 | | | | |
| | pioggia centr. | pioggia est. | est. + centr. | | | | | | | | | | | | | | | | | | | | | | | | | | | | | | | | | | | | | | | | | | | | | | | | | | |
| 0 | 0 | 0 | 0 | | | | | | | | | | | | | | | | | | | | | | | | | | | | | | | | | | | | | | | | | | | | | | | | | | |
| 0,5 | 4,2 | 4,3 | 4,3 | | | | | | | | | | | | | | | | | | | | | | | | | | | | | | | | | | | | | | | | | | | | | | | | | | |
| 1 | 6,1 | 6,1 | 6,2 | | | | | | | | | | | | | | | | | | | | | | | | | | | | | | | | | | | | | | | | | | | | | | | | | | |
| 1,5 | 7,5 | 7,5 | 7,6 | | | | | | | | | | | | | | | | | | | | | | | | | | | | | | | | | | | | | | | | | | | | | | | | | | |
| 2 | 8,7 | 8,8 | 8,8 | | | | | | | | | | | | | | | | | | | | | | | | | | | | | | | | | | | | | | | | | | | | | | | | | | |
| 2,5 | 9,8 | 9,9 | 9,8 | | | | | | | | | | | | | | | | | | | | | | | | | | | | | | | | | | | | | | | | | | | | | | | | | | |
| 3 | 10,7 | 10,7 | 10,7 | | | | | | | | | | | | | | | | | | | | | | | | | | | | | | | | | | | | | | | | | | | | | | | | | | |
| 3,5 | 11,6 | 11,7 | 11,6 | | | | | | | | | | | | | | | | | | | | | | | | | | | | | | | | | | | | | | | | | | | | | | | | | | |
| 4 | 12,5 | 12,4 | 12,3 | | | | | | | | | | | | | | | | | | | | | | | | | | | | | | | | | | | | | | | | | | | | | | | | | | |
| 4,5 | 13,2 | 13,2 | 13,1 | | | | | | | | | | | | | | | | | | | | | | | | | | | | | | | | | | | | | | | | | | | | | | | | | | |
| 5 | 13,8 | 13,8 | 13,9 | | | | | | | | | | | | | | | | | | | | | | | | | | | | | | | | | | | | | | | | | | | | | | | | | | |
| pressione bar | | portata L/min | | | | | | | | | | | | | | | | | | | | | | | | | | | | | | | | | | | | | | | | | | | | | | | | | | | |
| MATERIALI / materials | | | | | | | | | | | | | | | | | | | | | | | | | | | | | | | | | | | | | | | | | | | | | | | | | | | | | |
| ABS, Silicone, Nbr, Acetal | | | | | | | | | | | | | | | | | | | | | | | | | | | | | | | | | | | | | | | | | | | | | | | | | | | | | |
| CARATTERISTICHE IDRAULICHE / hydraulic features | | | | | | | | | | | | | | | | | | | | | | | | | | | | | | | | | | | | | | | | | | | | | | | | | | | | | |
| | pressione pressure | portata flow rate | temperatura temperature | solo per miscelatori termostatici only for thermostatic mixers | | | | | | | | | | | | | | | | | | | | | | | | | | | | | | | | | | | | | | | | | | | | | | | | | |
| min | 1 bar | 7,5 L/MIN | -- | Blocco di sicurezza safety lock | / | | | | | | | | | | | | | | | | | | | | | | | | | | | | | | | | | | | | | | | | | | | | | | | | |
| max | 5 bar | -- | <70°C | Temperatura acqua fredda cold water temperature | / | | | | | | | | | | | | | | | | | | | | | | | | | | | | | | | | | | | | | | | | | | | | | | | | |
| consigliata recommended | 2-3 bar | -- | <42°C | Temperatura acqua calda hot water temperature | / | | | | | | | | | | | | | | | | | | | | | | | | | | | | | | | | | | | | | | | | | | | | | | | | |
| CERTIFICAZIONI / CERTIFICATIONS: ACS(FRA), WATERMARK [AS/NZS 3662:2005] (AUS), CSA [ASME A112.18.1/CSA B125.1](CAN/USA), IAPMO [ASME A112.18.1/CSA B125.1] (USA/CAN). | | | | | | | | | | | | | | | | | | | | | | | | | | | | | | | | | | | | | | | | | | | | | | | | | | | | | |
| CONFORMITA' / CONFORMITY : Chrome plating - EN 248. | | | | | | | | | | | | | | | | | | | | | | | | | | | | | | | | | | | | | | | | | | | | | | | | | | | | | |