

## Axor Carlton

### Shut-off valve for concealed installation with cross handle

Surfaces: **chrome/gold-optic** Article Number: **17965090**



#### Description

##### product features

- connection type: DN15/DN20
- scope of supply: sleeve, handle, escutcheon
- WRAS 1109020
- WRAS 1109019
- SVGW 0904-5541

##### Mandatory Accessoires

- Basic set 40 l/min for shut-off valve for concealed installation ceramic, DN15 (#15974XXX)
- Basic set 80 l/min for shut-off valve for concealed installation spindle, DN15 (#15973XXX)
- Basic set 130 l/min for shut-off valve for concealed installation spindle, DN20 (#15970XXX)

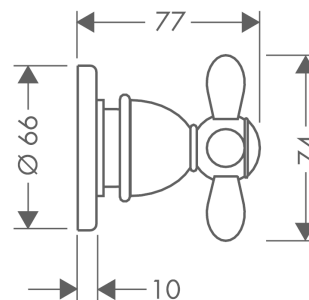
##### Optional Accessoires

- Extension set 25 mm (#96370XXX)

#### Product image



#### Scale drawing



## Axor Carlton

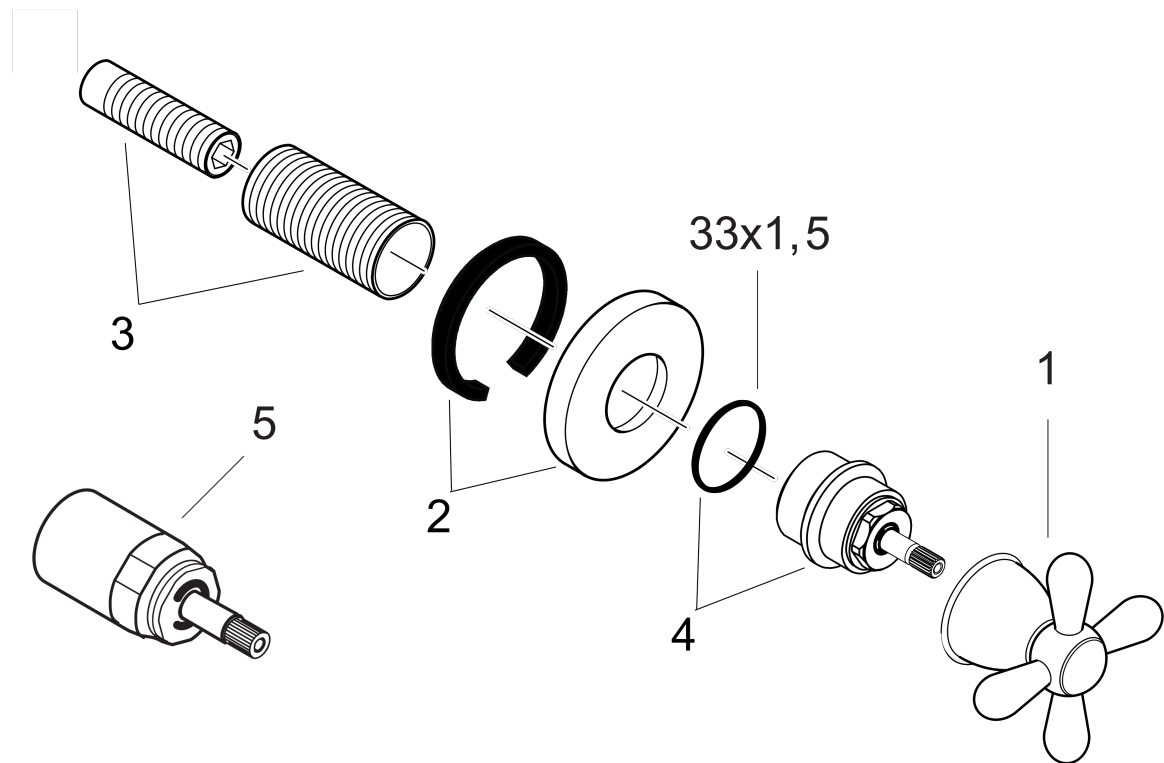
Shut-off valve for concealed installation with cross handle

Surfaces: chrome/gold-optic Article Number: 17965090



### Exploded Drawing

Year of production: >02/11



## Axor Carlton

**Shut-off valve for concealed installation with cross handle**

Surfaces: **chrome/gold-optic** Article Number: **17965090**



### Spare part list

Year of production: >02/11

Pos.	Description	Article Number	PC	PU
1	handle	17293090	16	1
2	escutcheon	95756XXX	12	-
3	fixing set	96392000	8	1
4	nut	97358000	9	1
5	extension 25 mm	96370000	0	1
a	concealed items DN20 (3/4")	15970180	0	1
b	concealed items 1/2"	15973180	0	1
c	concealed items 1/2"	15974180	0	1