

## Basin single-lever mixer with pop-up waste

**3.1165.1.004.111.1**

**3.1165.1.014.111.1**

**3.1165.1.024.111.1**

## without pop-up waste

**3.1165.1.004.110.1**

**3.1165.1.014.110.1**

**3.1165.1.024.110.1**



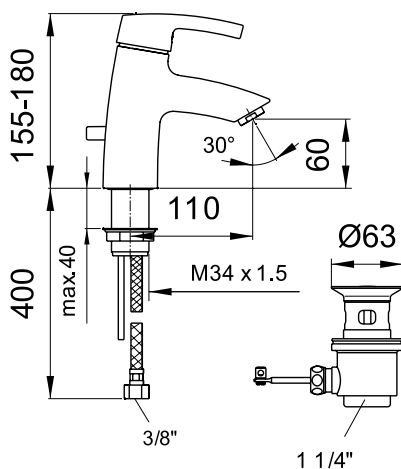
### TECHNICAL DATA / WITH POP-UP WASTE

Order no.	3.1165.1.004.111.1, lever chrome 3.1165.1.014.111.1, lever green 3.1165.1.024.111.1, lever red
matching for	lever green and red suitable for Florakids
Connection	3/8" flexible connection hoses
Spout length	110mm
Flow rate	12 l/min (3bar)
Acoustic class	I-A
Specification	basin single-lever mixer 40mm Ecototal cartridge with flow and temperature brake fixed spout
Accessories incl.	pop-up waste 1 1/4"
Surface finish	Chrome – Lever chrome / Lever green / Lever red

### TECHNICAL DATA / WITHOUT POP-UP WASTE

Order no.	3.1165.1.004.110.1, lever chrome 3.1165.1.014.110.1, lever green 3.1165.1.024.110.1, lever red
matching for	lever green and red suitable for Florakids
Connection	3/8" flexible connection hoses
Spout length	110mm
Flow rate	12 l/min (3bar)
Acoustic class	I-A
Specification	basin single-lever mixer 40mm Ecototal cartridge with flow and temperature brake fixed spout
Surface finish	Chrome – Lever chrome / Lever green / Lever red

### TECHNICAL DRAWINGS



### TECHNICAL DRAWINGS

