

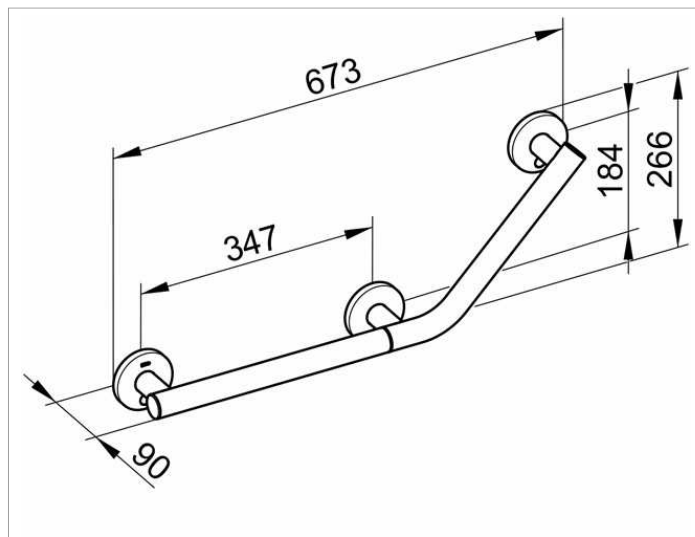
Plan Care

34907010401 Поручень угловой 135°

ИЗДЕЛИЕ



ЧЕРТЕЖ



ОПИСАНИЕ ИЗДЕЛИЯ

исполнение справа

поверхность

хром

Габариты

673/266 mm

спецификации

KEUCO PLAN CARE Angel bar 135° 34907010401

High shine chrome-plate

in esthetic, practical and ergonomic Design

right hand,

diagonal Rail right hand side

especially for WC- and Bath- place as support help up to 115 kg load capacity,

anti-static,

easy to clean

Outside measurement 673/266 mm

Pipe Diameter 33 mm,

3 Rosettes Diameter 82 mm

horizontal Base measurement 346 mm

diagonal Base measurement 184 mm

Projection 90 mm,

Wall distance 57 mm

The Support handle will be at 9 places discretely mounted

The Handle is TUEV-GS tested

Included in delivery:

3 x mounting set1 (Art. no. 34990000100)

Further mounting sets

(depending on type of wall):

3 x mounting set 4 (Art. no. 34990 000200), or

3 x mounting set 7 (Art. no. 34993 000200)

Please order additionally!