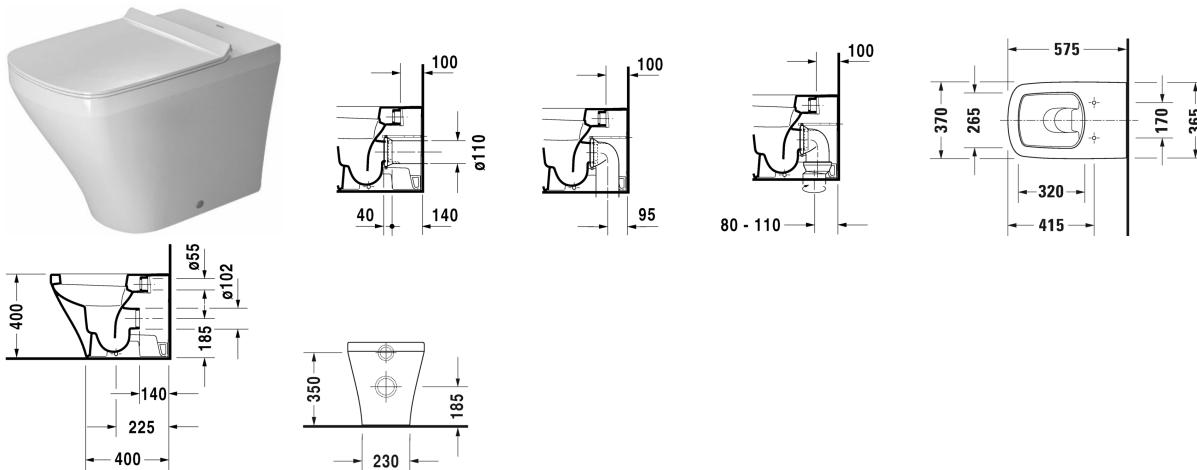


**DuraStyle Toilet floor standing # 215009..00 / 215009..00**

| < 370 mm > |



Toilet floor standing	Dimension	Weight	Order number
back to wall, for independent water supply, fixings included, washdown model, horizontal outlet, UWL class 1			
<b>Colors</b>			
00 White Alpin 20 HygieneGlaze (an antibacterial ceramic glaze that provides almost indefinite effectiveness)			
<b>Variant</b>			
♣ 4,5 l	370 x 570 mm	28.000 kilogram	215009..00
♣ 4,5 l	370 x 570 mm	28.000 kilogram	215009..00
Sanitary ceramics with the special WonderGliss surface finish will remain clean and attractive-looking for a long time to come. When ordering WonderGliss please add a "1" as eleventh digit to the model number.			
<b>Suitable products</b>			
Toilet seat and cover hinges stainless steel, without soft closure,			006371
Toilet seat and cover hinges stainless steel, removable, with soft closure,			006379
Toilet seat and cover with lateral reinforcement and extended hinge shaft, hinges stainless steel, without soft closure,			002061

*All drawings contain the necessary measurements which are subject to standard tolerances. They are stated in mm and are non-binding. Exact measurements, in particular for customised installation scenarios, can only be taken from the finished piece.*