

**Plan Care**

34903010837 Настенный поручень для туалета

**ИЗДЕЛИЕ****ОПИСАНИЕ ИЗДЕЛИЯ**

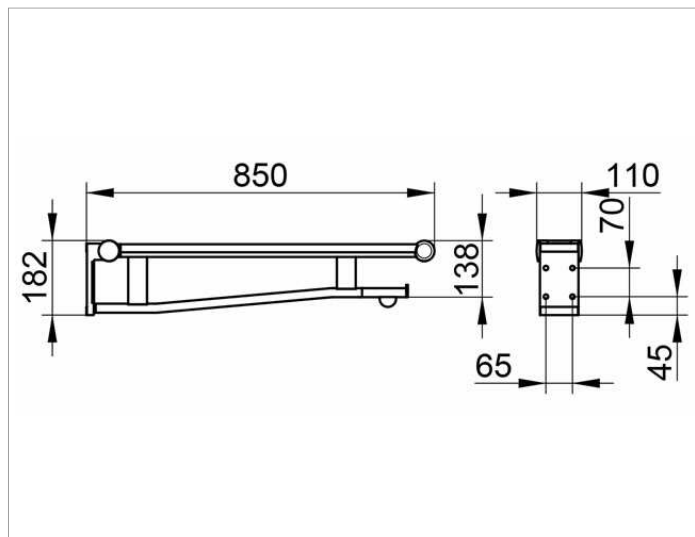
откидывается вверх, исполнение с ограничением хода, верх поручня имеет пластиковую оболочку, со съемным держателем туалетной бумаги (с роликовым ограничителем)

**поверхность**

хром/темно-серый (RAL 7021)

**Габариты**

850 mm

**ЧЕРТЕЖ****спецификации**

KEUCO PLAN Pivoted supporting rail for WC 34903010837

High shine chrome-plate pivoted supporting rail for WC with Plastic covered Surface area in esthetic, practical and ergonomic Design with synthetic covered support, dark-grey (RAL 7021), movable to vertical position, braked version with removable toilet paper holder (with roll brake) anti-static

Width Surface area with anti-slip, elegant, tactile and optical contrasting Handle Underneath as Hand towel holder useable Projection 850 mm

Width Wall plate 110 mm,

Height Wall plate 182 mm

Load capacity up to 100 kg

The Handle is Type approved

Wall support grip will be at 4 places discretely mounted

It's essential for installation to order the correct screws/bolts depending on type of wall:

2 x Mounting-Set 2 (item no. 34991000100) or

2 x Mounting-Set 5 (item no. 34991000200) or

2 x Mounting-Set 8 (item no. 34994000200) or

1 x Mounting-Set 10 (item no. 34996000100)

Please order separately!