

**SCHEDA TECNICA - TECHNICAL SHEET**

05/03/2025

Rev: 0

**Codice - Code:**

**Z00911**  
Brass 3-holes deck-mounted washbasin mixer PLY

**Descrizione - Description:**

Batteria lavabo PLY in ottone 3 fori con maniglie, flessibili di collegamento a parete 1/2"Fx3/8"F, flessibile di collegamento bocca M10x1M-Ø10, flessibili di alimentazione acqua 1/2"FxØ10, raccordo Ø10 a "T" push-fit, senza scarico

*PLY brass 3-holes washbasin mixer with handles complete with 1/2"Fx3/8"F wall connection hoses, M10x1M-Ø10 outlet spout hose, 1/2"FxØ10 water supply connection hoses, Ø10 push-fit "T" fitting, no pop-up waste*

**Tecnologia - Technology:**



*PLY Messing 3-Löcher Waschtischarmatur mit Handgriffen, 1/2"iGx3/8"iG Anschlusschläuchen, M10x1M-Ø10 Auslaufanschluss Schlauch, 1/2"iGxØ10 Anschlusschläuchen, Ø10 push-fit „T“ Anschluss, keine Ablaufgarnitur*

*Mitigeur lavabo PLY 3 trous en laiton, avec poignées, avec flexibles de raccordement à la paroi 1/2"Fx3/8"F, flexible de raccordement au bec M10x1M-Ø10, flexibles d'alimentation eau 1/2"FxØ10, raccord push-fit Ø10 "T", sans vidage*

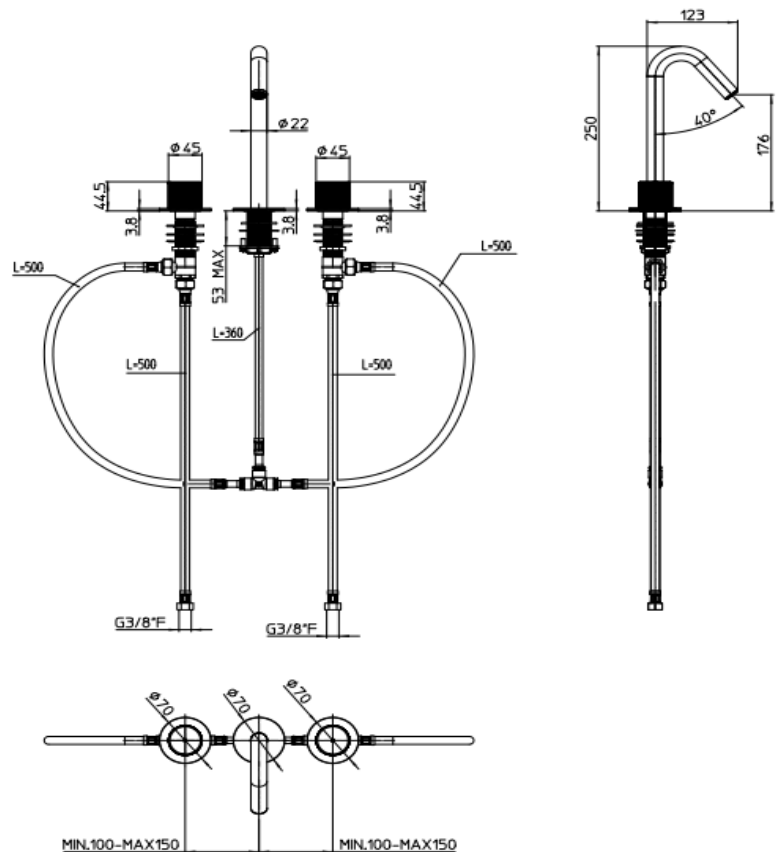
*Bateria lavabo PLY 3 agujeros en laton con manetas, flexibles de conexión de pared 1/2"Hx3/8"H, flexible de conexión al caño M10x1M-Ø10, flexibles de suministro da agua 1/2"HxØ10, racor push-fit Ø10 "T", sin desagüe*

*Смеситель для раковины PLY латунь на 3 отверстия с ручками, соединительные шланги 1/2"Fx3/8"F, шланг для подключения к изливу M10x1M-Ø10, "T" push-fit соединение на Ø10, без донного клапана*

**Immagine Prodotto - Product Image**

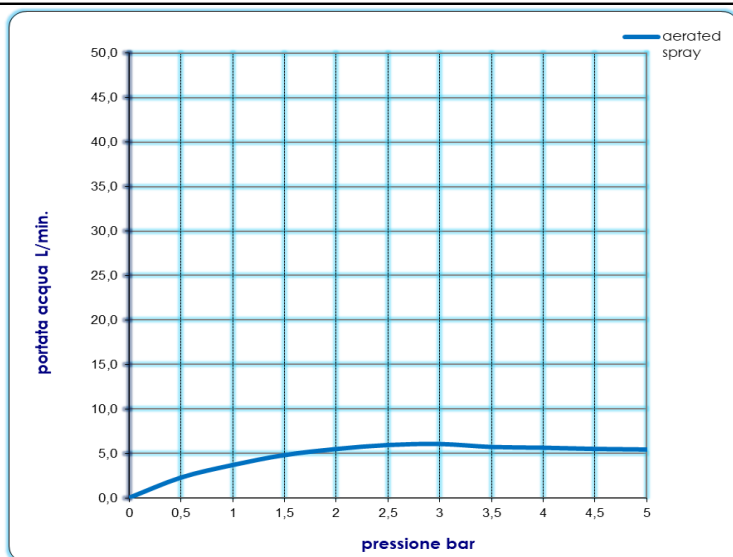


**Disegni - Drawings**



**Grafico di portata - Flow rate diagram**

	aerated spray
0	0,0
0,5	2,3
1	3,7
1,5	4,8
2	5,5
2,5	6,0
3	6,1
3,5	5,7
4	5,7
4,5	5,5
5	5,5



Caratteristiche idrauliche - Hydraulic features

	Pressione Pressure	Portata Flow rate	Solo per miscelatori termostatici Only for thermostatic mixers	
min	1 bar	3,7 L/min	Blocco di sicurezza Safety lock	--
max	5 bar	5,5 L/min	Temperatura acqua fredda Cold water temperature	--
Portata minima consigliata per buon funzionamento Recommended minimum flow-rate for optimal performance			Temperatura acqua calda Hot water temperature	--

Materiali - Materials

**Rosoni e manopole:** Zama  
**Bocca lavabo:** Ottone  
**Vitoni di alimentazione acqua:** Ottone

**Plates and handles :** Zamak alloy  
**Washbasin spout :** Brass  
**Water supply taps :** Brass

Certificazioni - Certifications

Conformità' - Conformity

Chrome plating: EN248