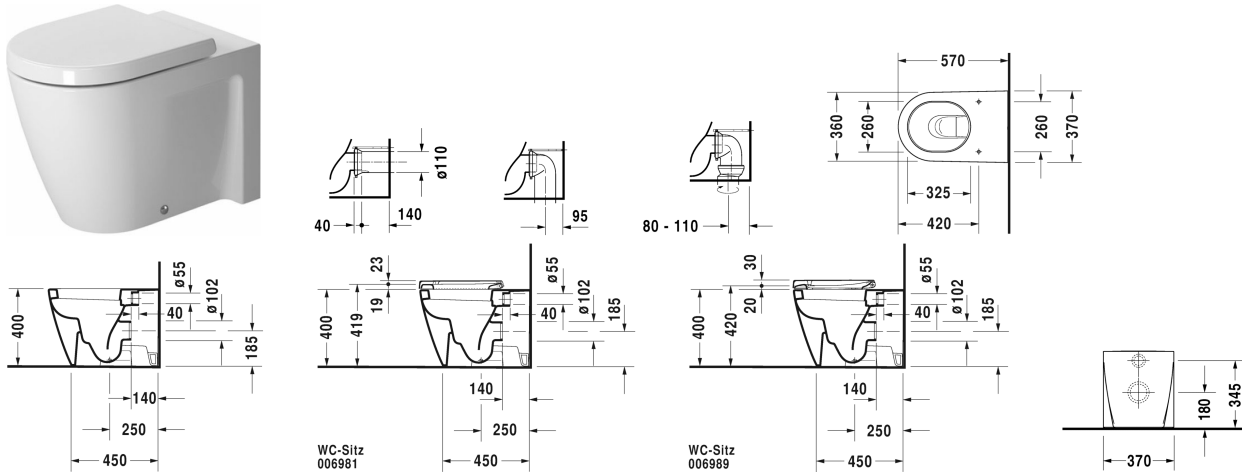


Starck 2 Toilet floor standing # 2128090000

| < 370 mm > |



Toilet floor standing	Dimension	Weight	Order number
back to wall, washdown model, fixings included, horizontal outlet, UWL class 1			
Colors			
00 White Alpin			
Variant			
♣ 4,5 l	370 x 570 mm	32.000 kilogram	2128090000
Infobox			
For Starck 2 WCs, constructed before February 2012, the toilet seats without soft closure # 0066910000 and with soft closure # 0066990000 are suitable			
Sanitary ceramics with the special WonderGliss surface finish will remain clean and attractive-looking for a long time to come. When ordering WonderGliss please add a "1" as eleventh digit to the model number.			
Suitable products			
Toilet seat and cover hinges stainless steel, removable, with soft closure,			006989
Toilet seat and cover hinges stainless steel, without soft closure,			006981

All drawings contain the necessary measurements which are subject to standard tolerances. They are stated in mm and are non-binding. Exact measurements, in particular for customised installation scenarios, can only be taken from the finished piece.