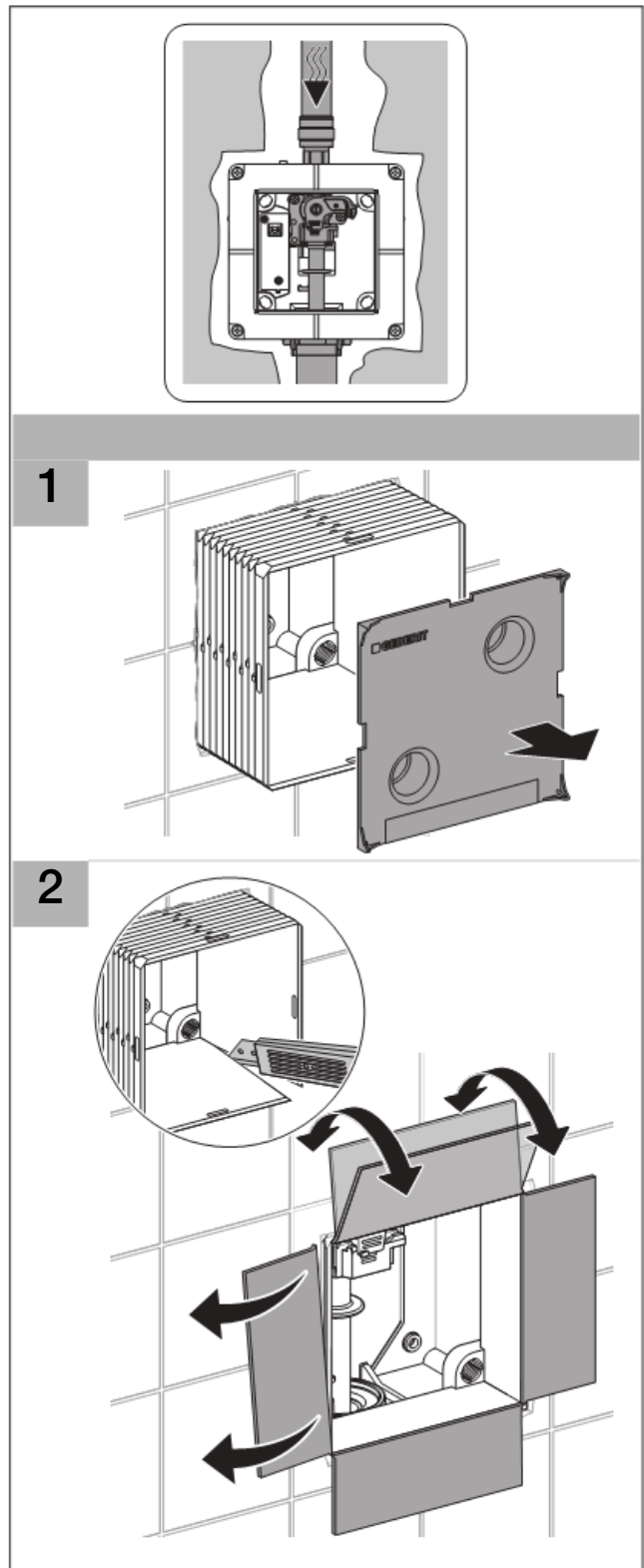
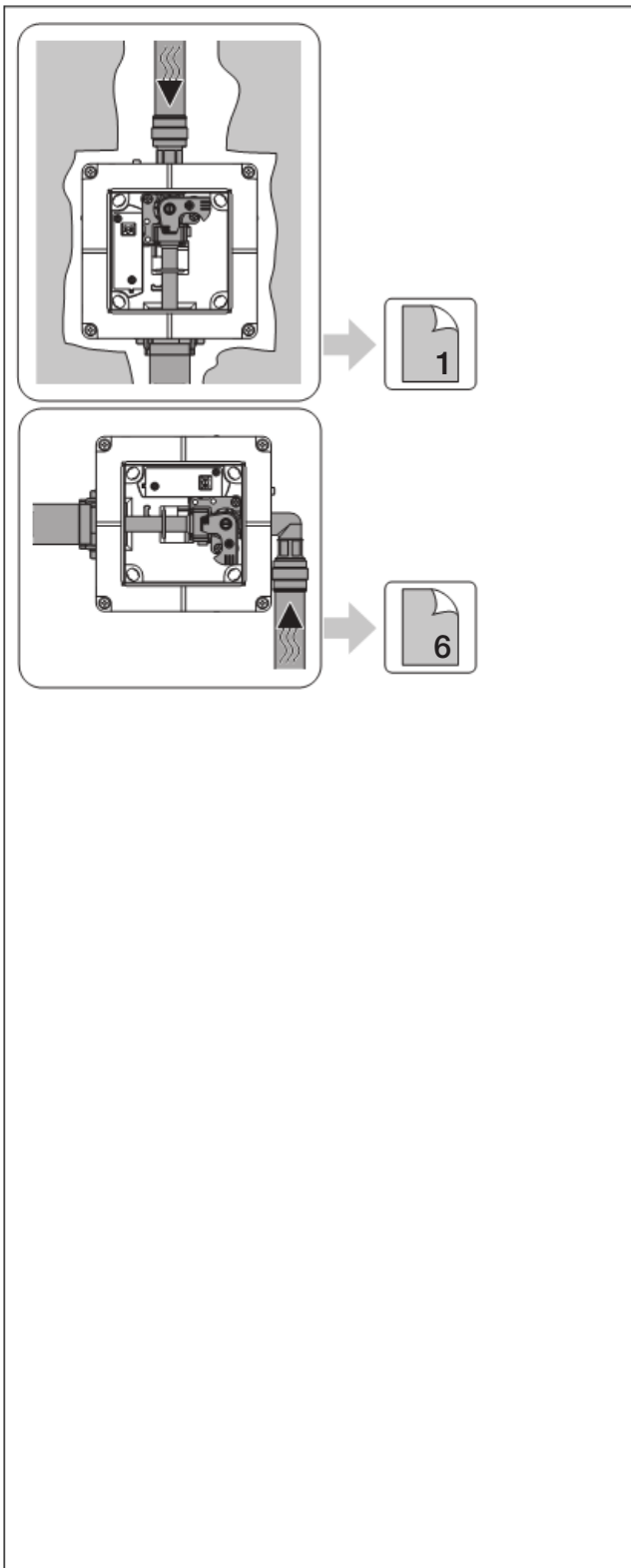
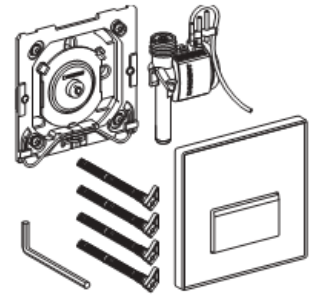
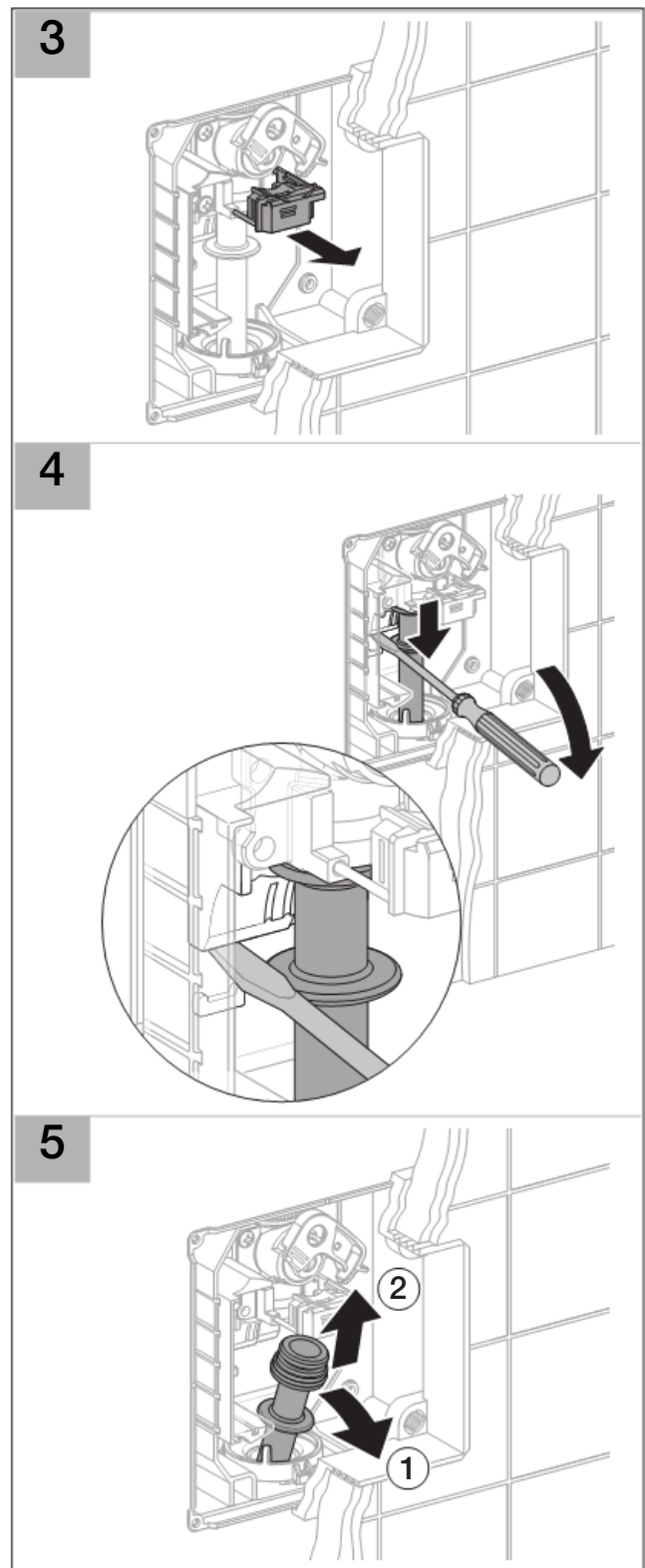
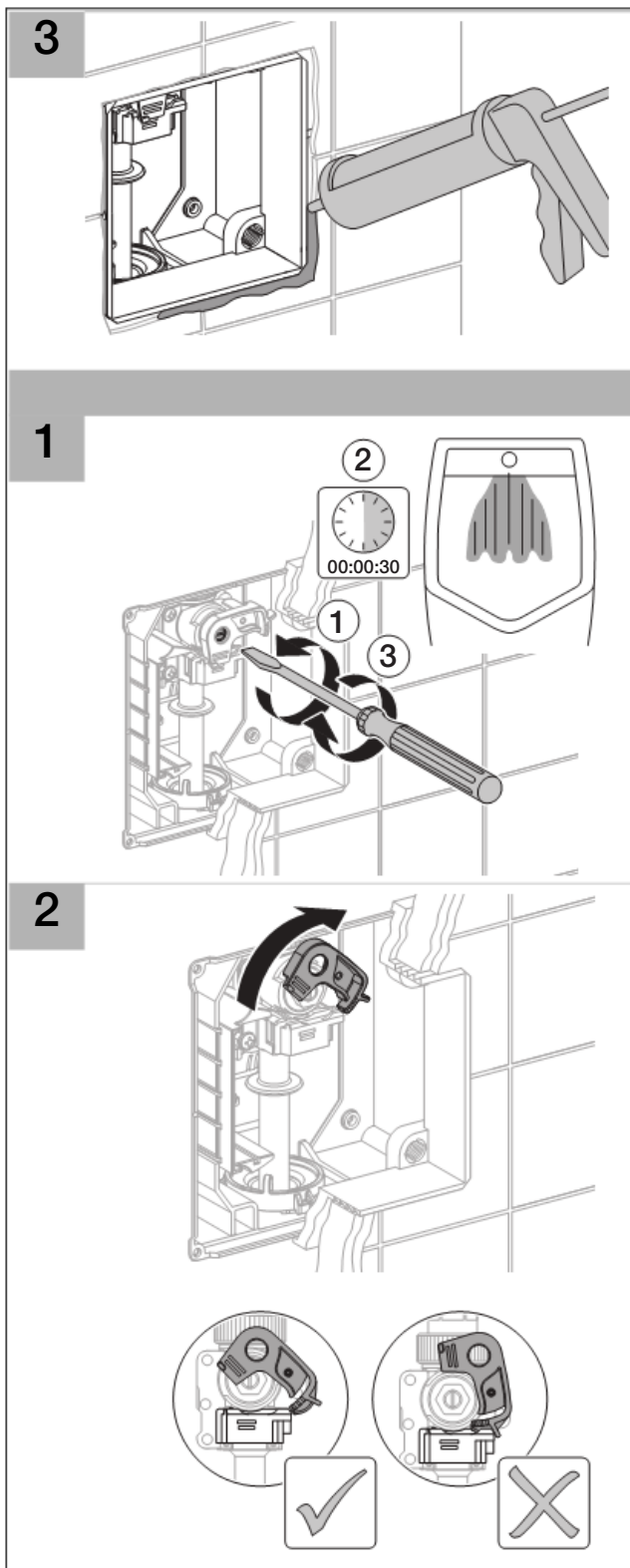


Installation


■ GEBERIT



D20559-002&BDC © 11-2009



6

		
		sec.
1	1 drop	4
2	2 drops	9
3	3 drops	12

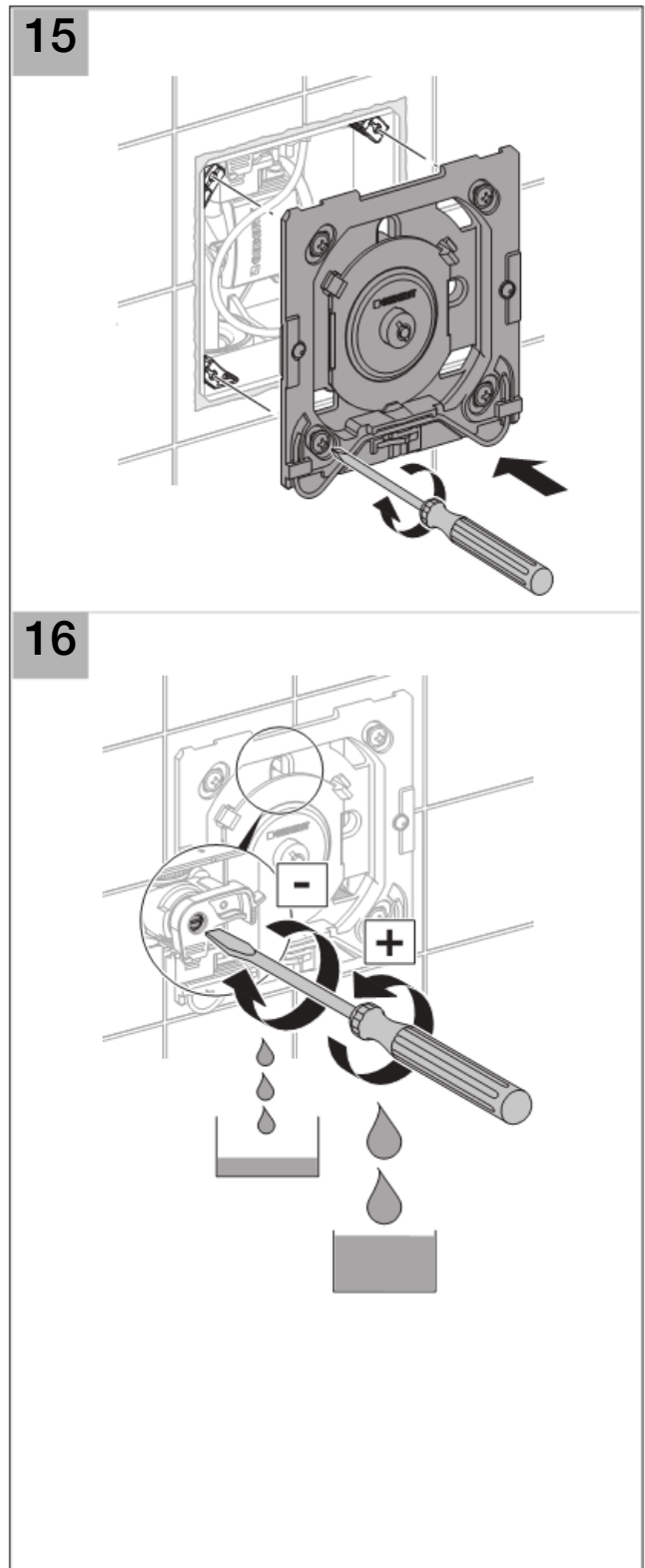
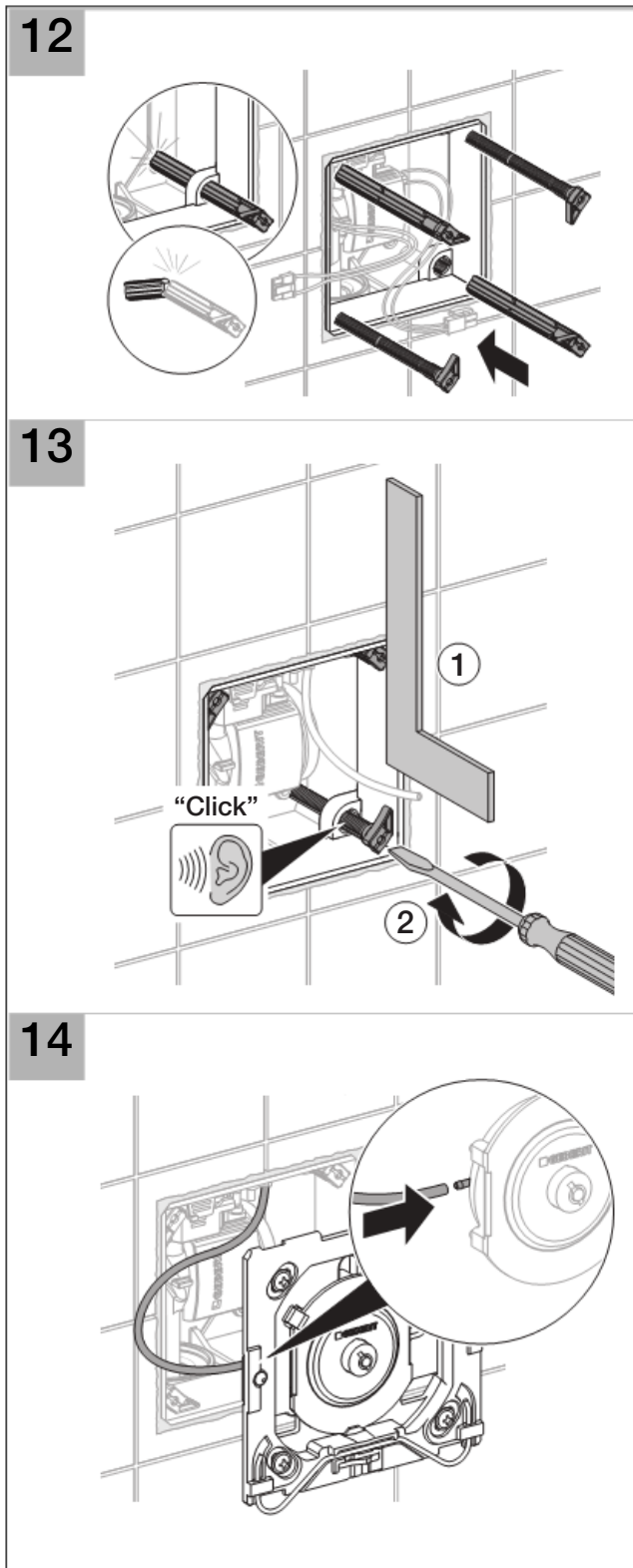
7

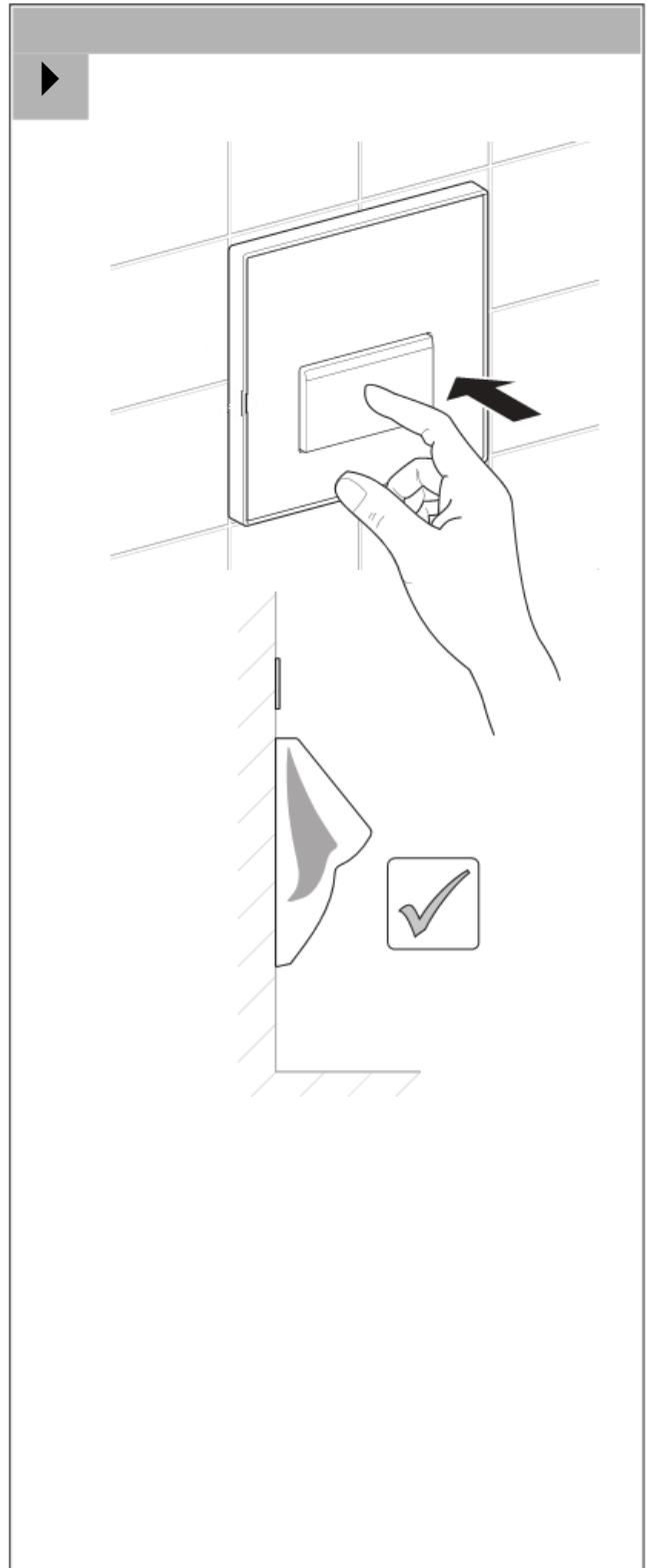
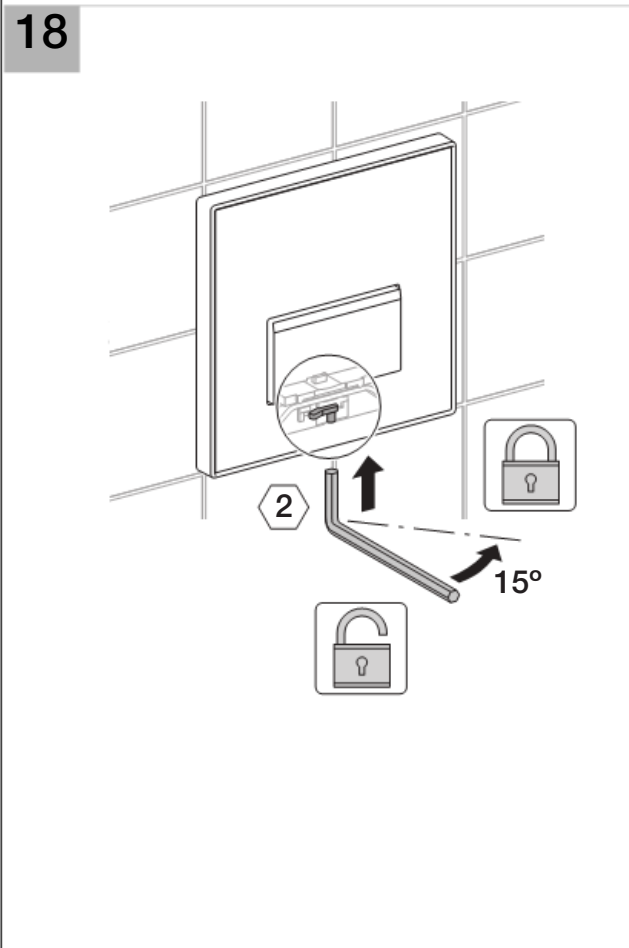
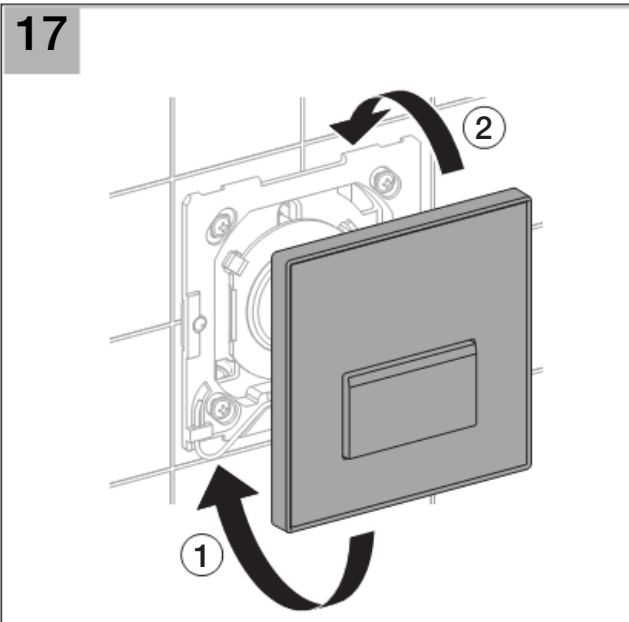
8

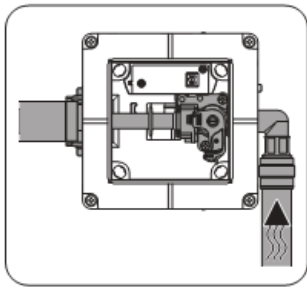
9

10

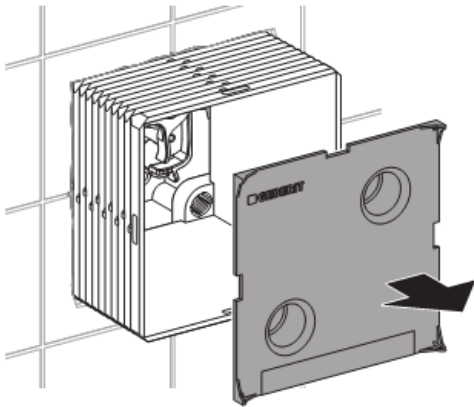
11



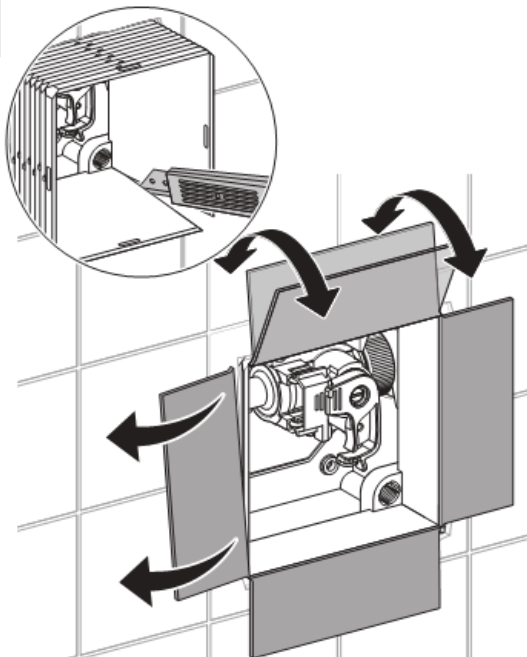




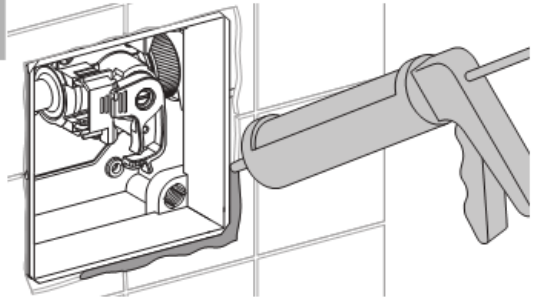
1



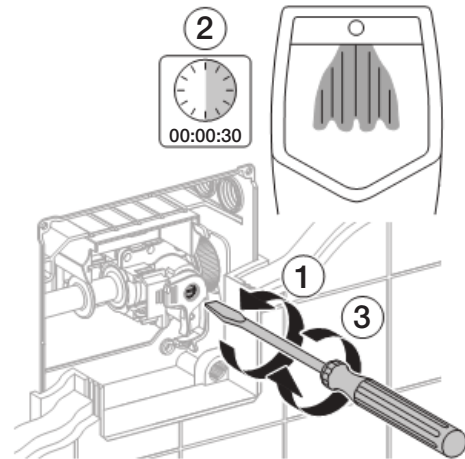
2



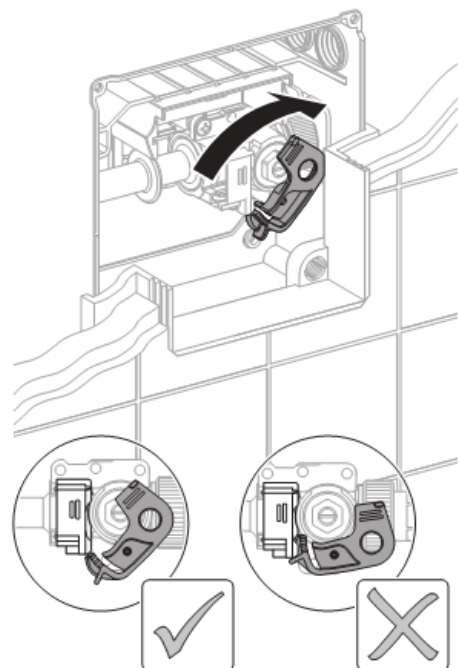
3

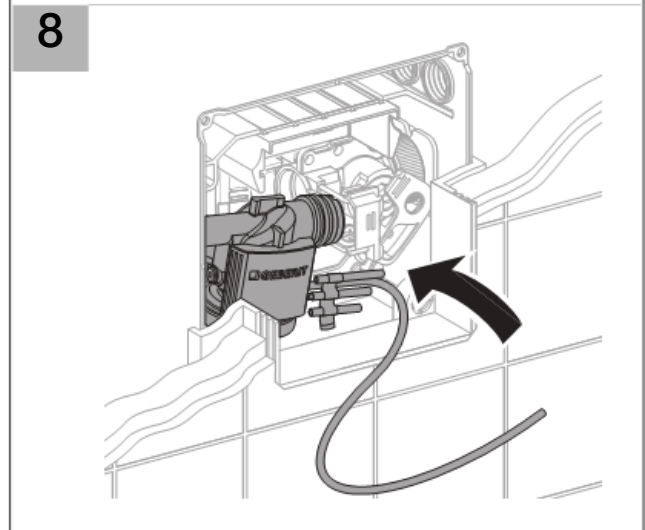
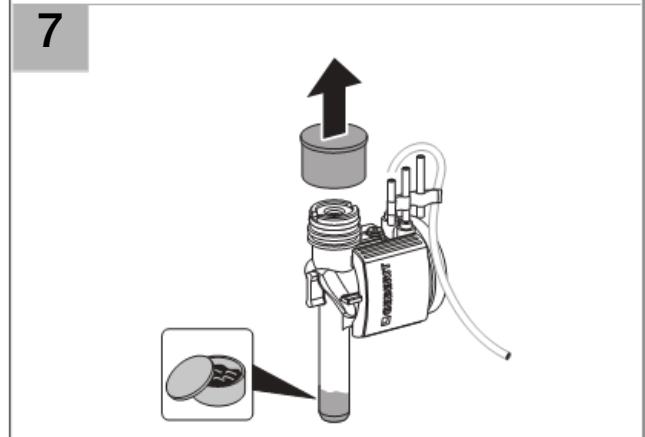
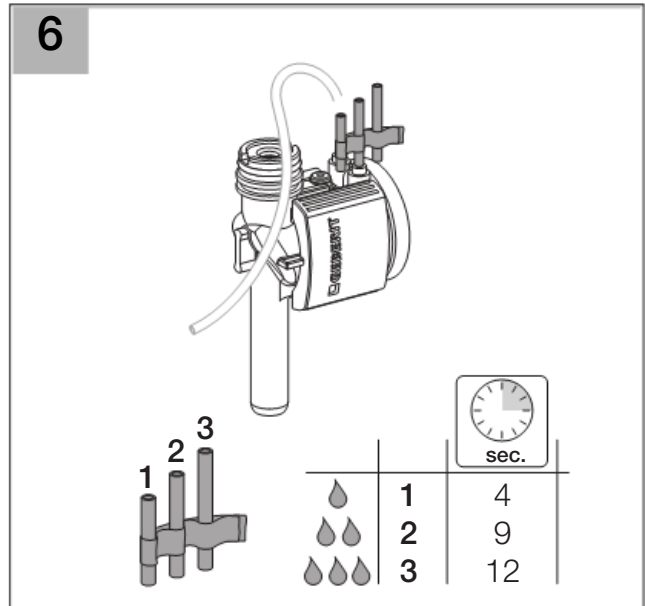
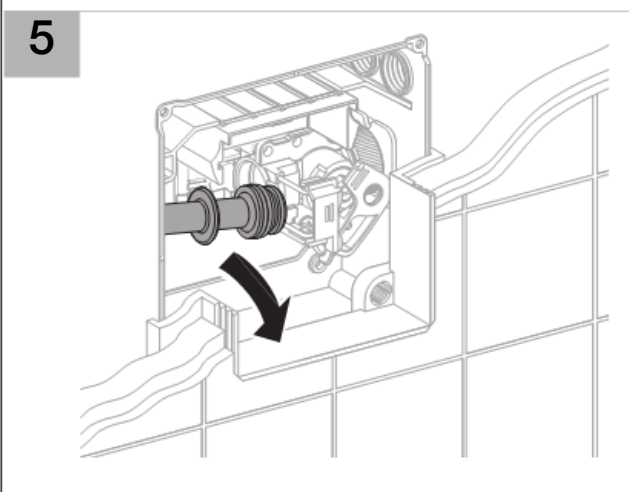
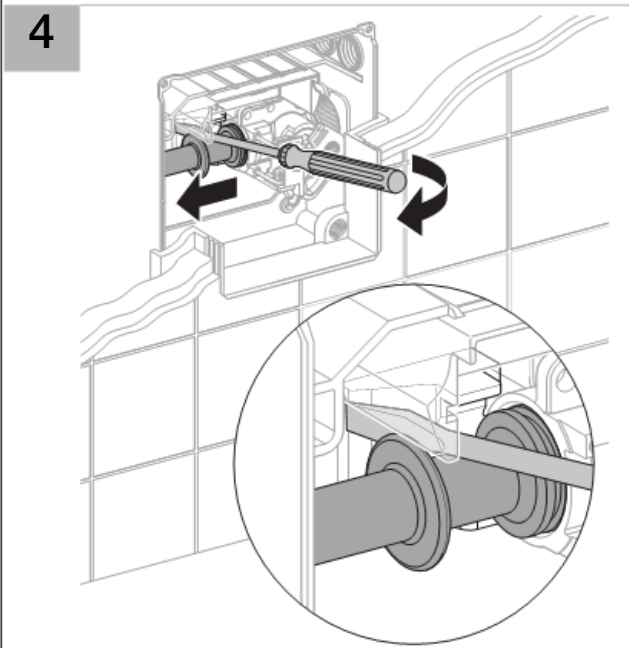
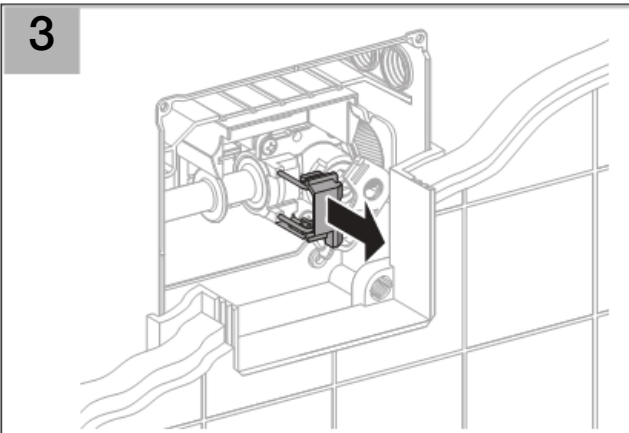


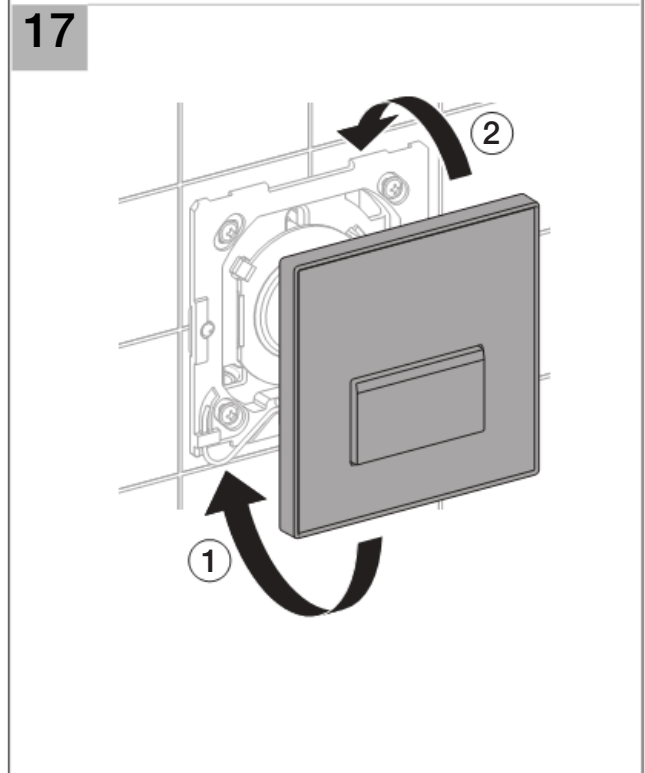
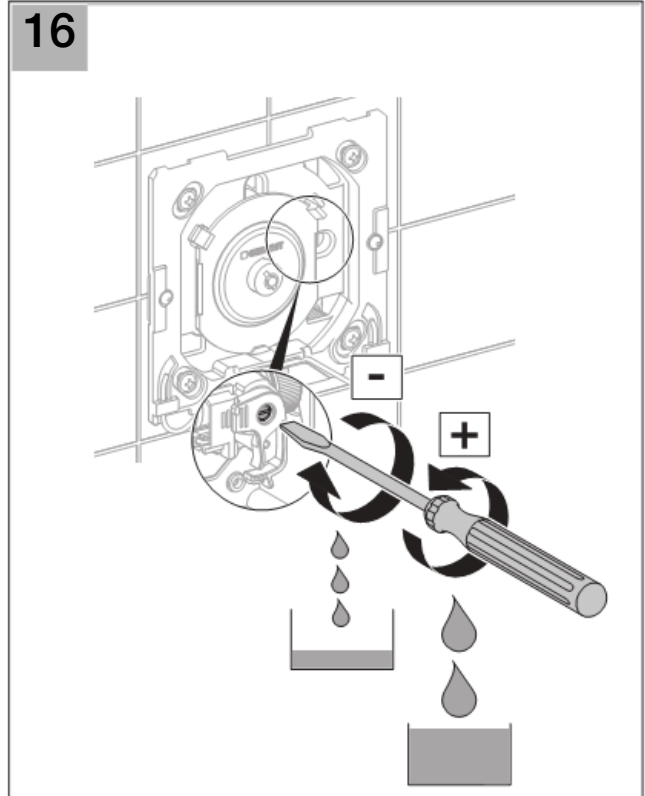
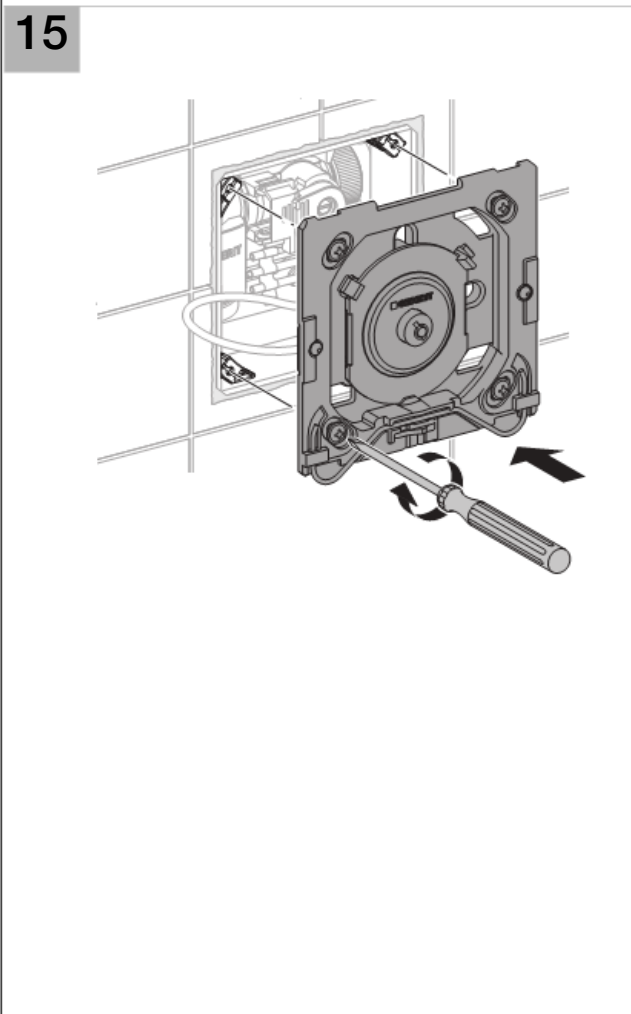
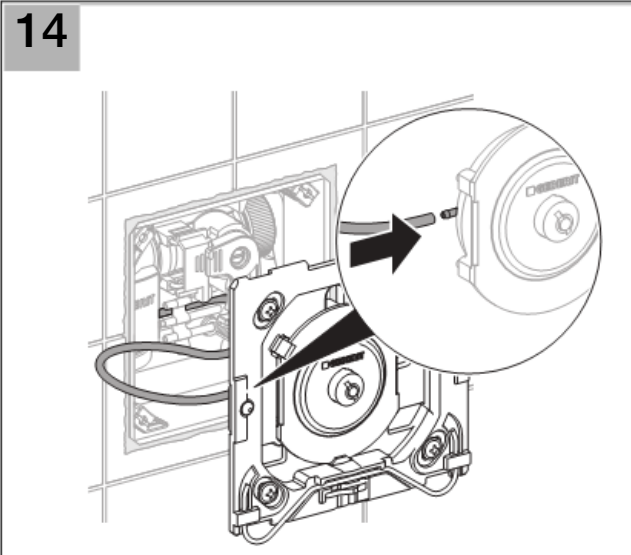
1



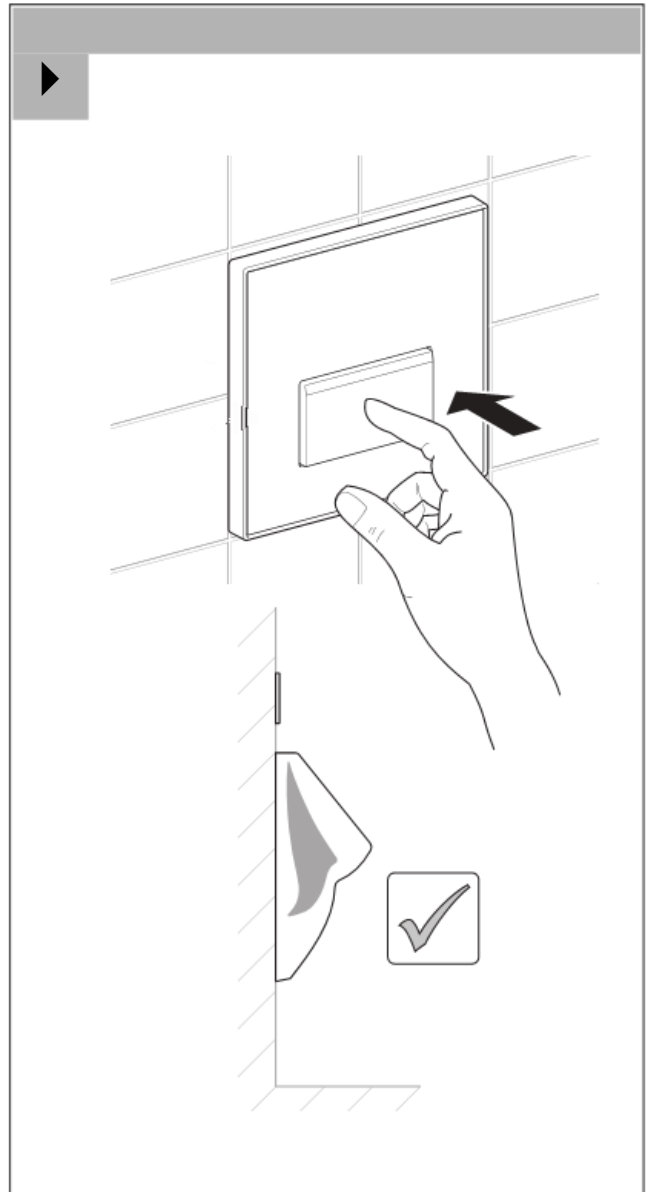
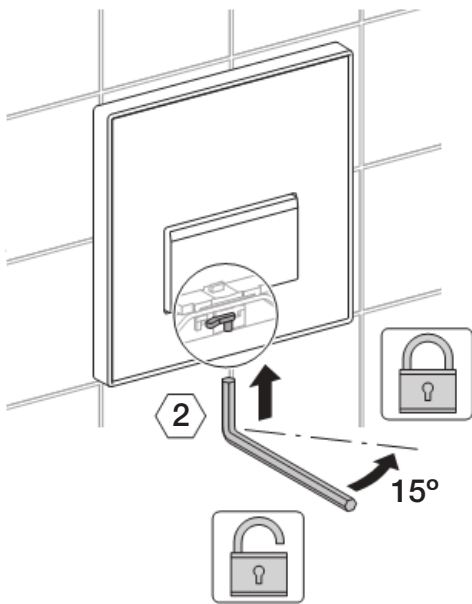
2







18



Geberit International AG
Schachenstrasse 77
CH-8645 Jona
www.geberit.com
dokumentation@geberit.com

D20559-002&BDC © 11-2009