

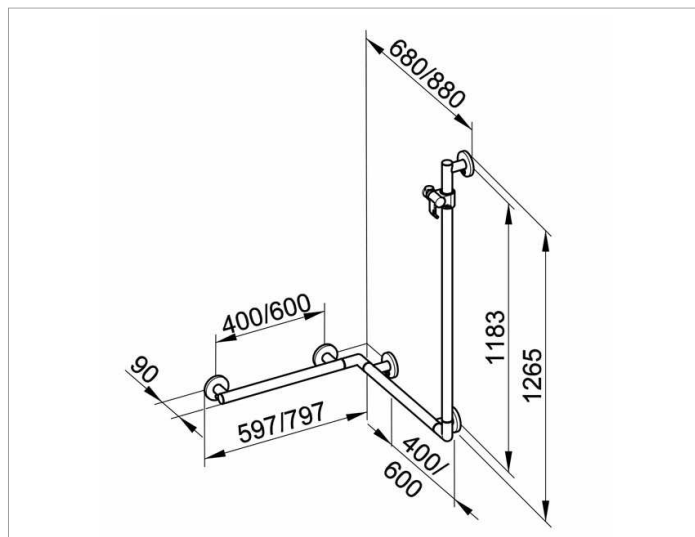
Plan Care

34908016411 Поручень вдоль стены и штанга для душа

ИЗДЕЛИЕ



ЧЕРТЕЖ



ОПИСАНИЕ ИЗДЕЛИЯ

в комплекте с держателем душевой лейки
монтируется справа и слева

поверхность

хром

Габариты

797/680/1265 mm

спецификации

KEUCO PLAN CARE rail system
with Shower rail 34908016411,
high shine chrome-plated,
complete with shower bracket,
may be used on left or right
in esthetic, practical and ergonomic Design
as Support help up to 115 kg load capacity,
anti-static,
easy to clean
Base measurement horizontal 600/400/1182 mm,
Pipe diameter 33 mm,
5 Rosette Diameter 82 mm
Measurement 797/680/1265 mm
Projection 90 mm,
Wall distance 57 mm

May be combined with tip-up seat with backrest
(Art. no. 34981) or spray guard (Art. no. 34940)

Included in delivery: