

## Rebris S

### Bath spout

Surfaces: **Matt Black** Article Number: **72430670**



#### Description

##### product features

- connection type: G 1/2
- with escutcheon
- projection 200 mm
- wall-mounted
- maximum flow rate at 3 bar: 22 l/min
- spray type: normal spray

#### Technology



#### Design awards



reddot winner 2022



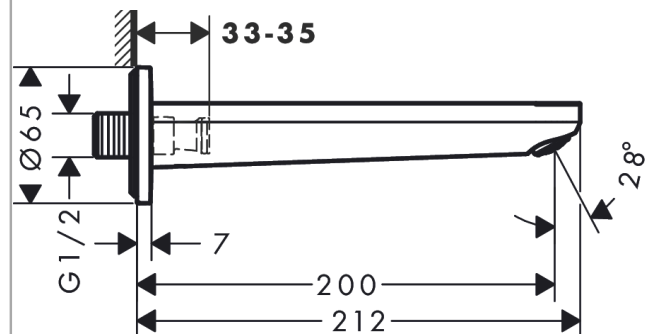
#### Certificates



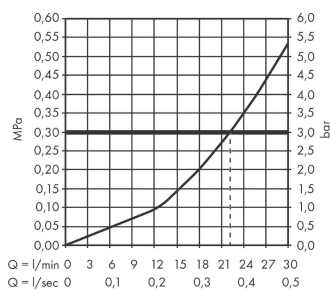
#### Product image



#### Scale drawing



#### Flowchart



## Rebris S

### Bath spout

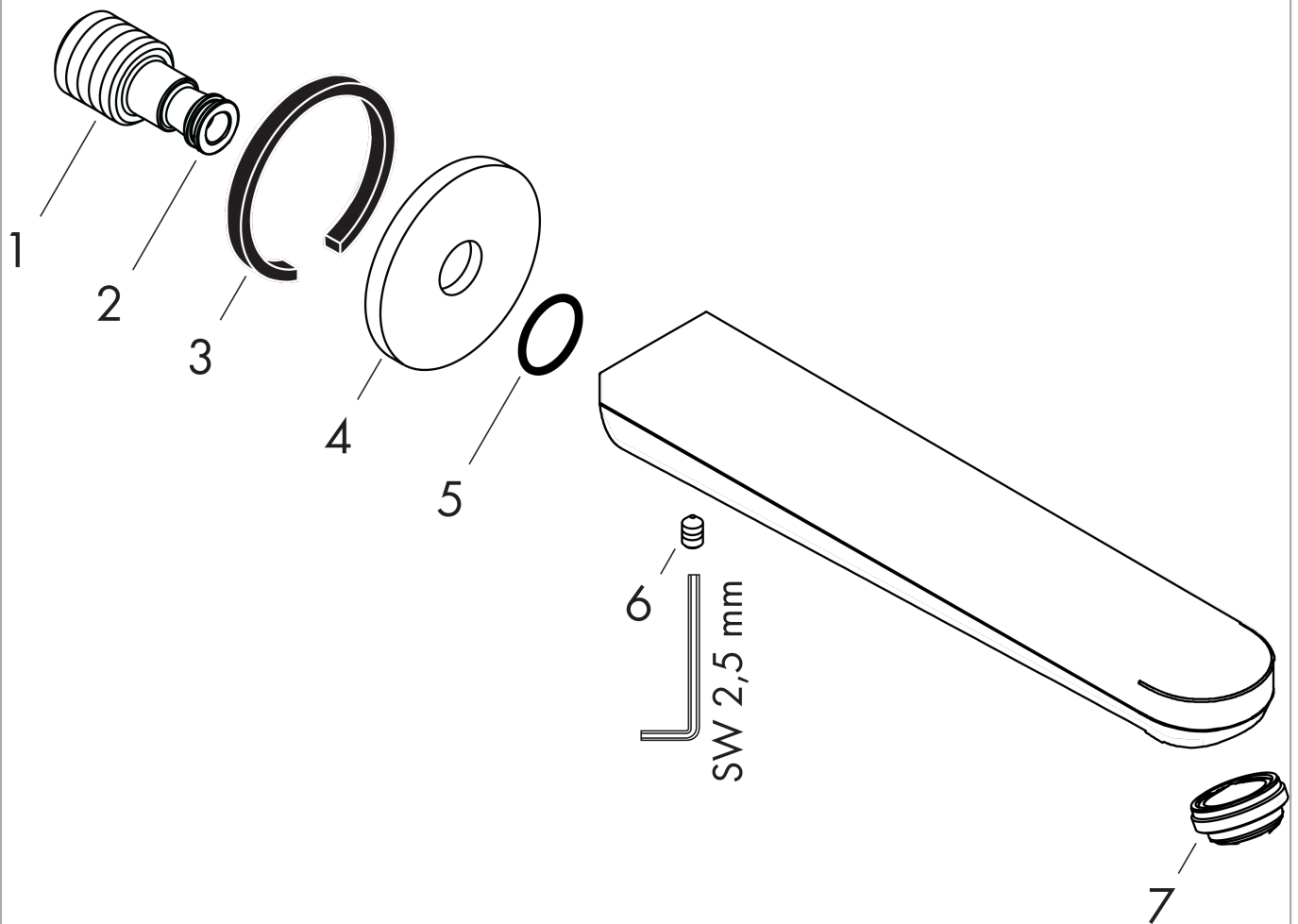
Surfaces: **Matt Black**

Article Number: **72430670**



### Exploded Drawing

Year of production: >06/22



**Rebris S**

**Bath spout**

Surfaces: **Matt Black**

Article Number: **72430670**



**Spare part list**

Year of production: >06/22

Pos.	Description	Article Number	Price	PU
1	connecting thread G $\frac{3}{4}$	92504000	€ 57,12	1
2	O-ring 13x2	98128000	€ 3,21	1
3	seal	97530000	€ 5,24	1
4	escutcheon Ø 65 mm	92754670	€ 53,91	1
5	O-ring 18x1,5	98231000	€ 3,21	1
6	hollow set screw M5x6	97768000	€ 3,21	1
7	aerator M24x1 (30 l/min)	94656000	€ 5,24	1
a	connecting thread G $\frac{1}{2}$	95393000	€ 35,94	1