
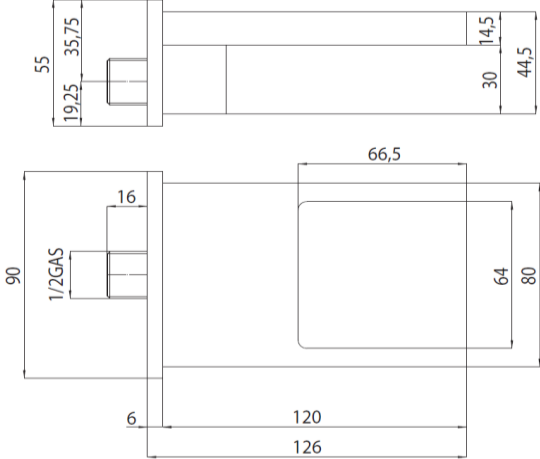
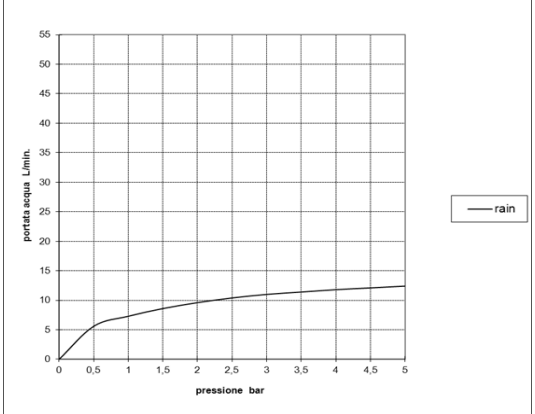


BOSSINI		SCHEDA TECNICA TECHNICAL SHEET		Date: 07/04/2017	Rev/0																								
Codice / Code: E88600		Descrizione / description: Bocca Cascata vasca & doccia, ottone con getto a cascata 1/2" M Brass waterfall spout for bathtub & shower, 1/2" M wall inlet																											
Foto / image		Disegni / drawings																											
																													
Grafico di portata / Flow rate diagram																													
<table border="1"> <thead> <tr> <th></th> <th>rain</th> </tr> </thead> <tbody> <tr><td>0</td><td>0</td></tr> <tr><td>0,5</td><td>5,6</td></tr> <tr><td>1</td><td>7,3</td></tr> <tr><td>1,5</td><td>8,6</td></tr> <tr><td>2</td><td>9,6</td></tr> <tr><td>2,5</td><td>10,4</td></tr> <tr><td>3</td><td>11</td></tr> <tr><td>3,5</td><td>11,4</td></tr> <tr><td>4</td><td>11,8</td></tr> <tr><td>4,5</td><td>12,1</td></tr> <tr><td>5</td><td>12,4</td></tr> </tbody> </table>			rain	0	0	0,5	5,6	1	7,3	1,5	8,6	2	9,6	2,5	10,4	3	11	3,5	11,4	4	11,8	4,5	12,1	5	12,4				
	rain																												
0	0																												
0,5	5,6																												
1	7,3																												
1,5	8,6																												
2	9,6																												
2,5	10,4																												
3	11																												
3,5	11,4																												
4	11,8																												
4,5	12,1																												
5	12,4																												
<table border="1"> <thead> <tr> <th>pressione bar</th> <th>portata L/min</th> </tr> </thead> <tbody> <tr><td>0</td><td>0</td></tr> <tr><td>0,5</td><td>5,6</td></tr> <tr><td>1</td><td>7,3</td></tr> <tr><td>1,5</td><td>8,6</td></tr> <tr><td>2</td><td>9,6</td></tr> <tr><td>2,5</td><td>10,4</td></tr> <tr><td>3</td><td>11</td></tr> <tr><td>3,5</td><td>11,4</td></tr> <tr><td>4</td><td>11,8</td></tr> <tr><td>4,5</td><td>12,1</td></tr> <tr><td>5</td><td>12,4</td></tr> </tbody> </table>		pressione bar	portata L/min	0	0	0,5	5,6	1	7,3	1,5	8,6	2	9,6	2,5	10,4	3	11	3,5	11,4	4	11,8	4,5	12,1	5	12,4				
pressione bar	portata L/min																												
0	0																												
0,5	5,6																												
1	7,3																												
1,5	8,6																												
2	9,6																												
2,5	10,4																												
3	11																												
3,5	11,4																												
4	11,8																												
4,5	12,1																												
5	12,4																												
MATERIALI / materials																													
Stainless steel, rubber, brass																													
CARATTERISTICHE IDRAULICHE / hydraulic features																													
	pressione pressure	portata flow rate	temperatura temperature	solo per miscelatori termostatici only for thermostatic mixers																									
min	1 bar	--	--	Blocco di sicurezza safety lock	/																								
max	5 bar	--	<70°C	Temperatura acqua fredda cold water temperature	/																								
consigliata recommended	2-3 bar	7,5L/min	<42°C	Temperatura acqua calda hot water temperature	/																								
CERTIFICAZIONI / CERTIFICATIONS:																													
CONFORMITA' / CONFORMITY : Chrome plating - EN 248.																													