

	SCHEDA TECNICA TECHNICAL SHEET	Date: 1/02/2018	Rev/0

Codice / Code: I00720	Descrizione / description: Soffione Cube autopulente 210x210 con snodo 1/2" F Cube shower head 210x210 with 1/2" F swivel ball – Easy-Clean
--	--

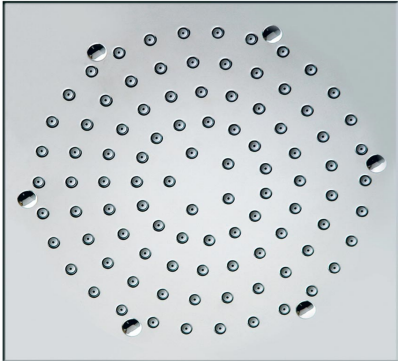
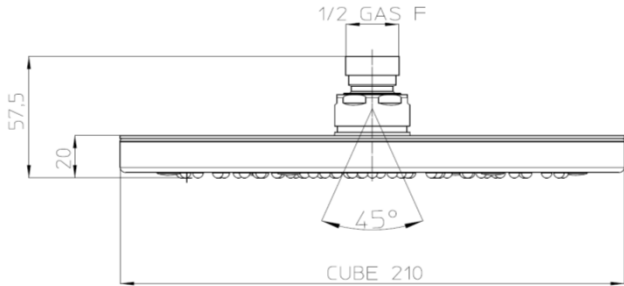
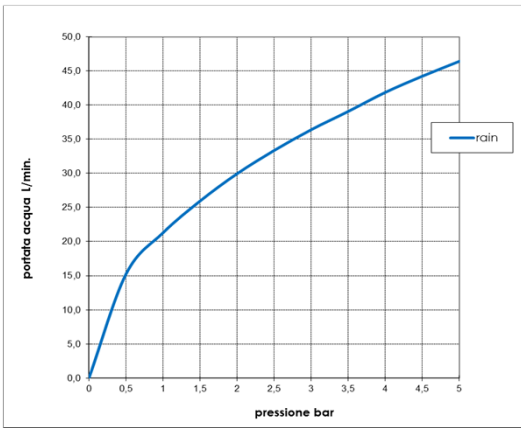
Foto / image 	Disegni / drawings 
--	---

Grafico di portata / Flow rate diagram																											
<table border="1"> <thead> <tr> <th></th> <th style="background-color: #ADD8E6;">rain</th> </tr> </thead> <tbody> <tr><td>0</td><td>0,0</td></tr> <tr><td>0,5</td><td>15,2</td></tr> <tr><td>1</td><td>21,3</td></tr> <tr><td>1,5</td><td>26,0</td></tr> <tr><td>2</td><td>30,0</td></tr> <tr><td>2,5</td><td>33,4</td></tr> <tr><td>3</td><td>36,4</td></tr> <tr><td>3,5</td><td>39,1</td></tr> <tr><td>4</td><td>41,9</td></tr> <tr><td>4,5</td><td>44,2</td></tr> <tr><td>5</td><td>46,4</td></tr> <tr> <td>pressione bar</td> <td>portata L/min</td> </tr> </tbody> </table>		rain	0	0,0	0,5	15,2	1	21,3	1,5	26,0	2	30,0	2,5	33,4	3	36,4	3,5	39,1	4	41,9	4,5	44,2	5	46,4	pressione bar	portata L/min	
	rain																										
0	0,0																										
0,5	15,2																										
1	21,3																										
1,5	26,0																										
2	30,0																										
2,5	33,4																										
3	36,4																										
3,5	39,1																										
4	41,9																										
4,5	44,2																										
5	46,4																										
pressione bar	portata L/min																										

MATERIALI / materials Stainless steel (faceplate and upper flange), brass (swivel connector), Chromed ABS plastic (square spacer), Acetal (inner body), EPDM and PVC rubbers (diffuser, gaskets).

CARATTERISTICHE IDRAULICHE / hydraulic features					
	pressione pressure	portata flow rate	temperatura temperature	solo per miscelatori termostatici only for thermostatic mixers	
min	1 bar	/	/	Blocco di sicurezza safety lock	/
max	5 bar	/	/	Temperatura acqua fredda cold water temperature	/
consigliata recommended	2-3 bar	9 L/min	/	Temperatura acqua calda hot water temperature	/

CERTIFICAZIONI / CERTIFICATIONS ACS (France); CSA, IAPMO [ASME A112.18.1/CSA B125.1] (CAN/USA); NF [EN 1112] (FRA); Watermark [AS/NZS 3662:2005] (AUS);

CONFORMITA' / CONFORMITY Chrome plating - EN 248
--