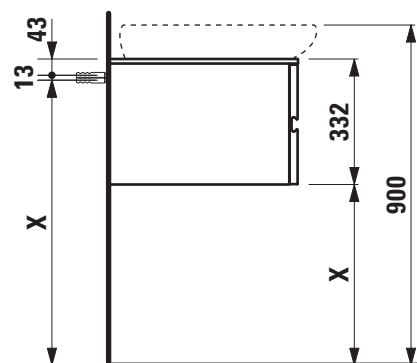
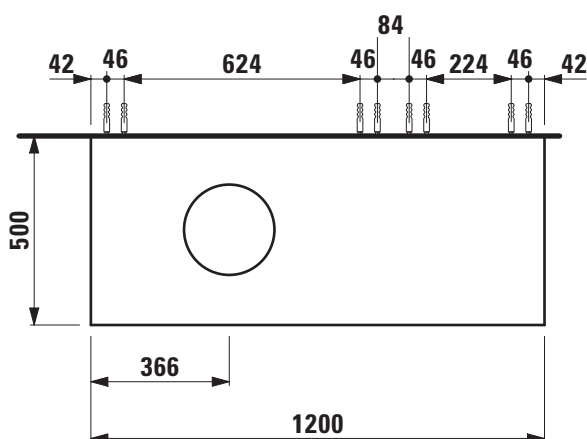




TECHNICAL DATA

Order no.	42416.1 / 4 drawers	Accessories excl.	Drawer separations small, order no. 49240.1 large, order no. 49240.2 Space saving siphon, order no. 89424.0
Dimensions (WxHxD)	1200 x 332 x 500 mm	Mounting acc. incl.	Installation set, order no. 49240.7
Matching for	washbasin, order no. 81897.3 (only with shelf at right side)	Mounting information	The walls installed on must meet the requirements of the furniture in terms of weight and the supplied fastening elements. If this cannot be guaranteed another method of installation needs to be chosen.
Specification	Body/Front – Surface lacquered real wood veneer or lacquered white with technical marble top Integrated handle in the front 1 cut out left	Colours	630 – Noce canaletto, surface lacquered real wood veneer 631 – White, surface lacquered with technical marble top
Weight	630 – 53,3 kg 631 – 63,5 kg		

TECHNICAL DRAWINGS / S 1 : 20



Only Il Bagno Alessi One 81897.3 with shelf at right side
X = The exact height must be set during installation.