

Rebris S

3-hole basin mixer 110 with pop-up waste set

Surfaces: **Chrome** Article Number: **72530000**



Description

product features

- consists of: 3-hole basin mixer, waste set
- ComfortZone 110
- projection: 134 mm
- spout height: 107 mm
- spray type: normal spray
- maximum flow rate at 3 bar: 5 l/min
- ceramic valves hot/ cold 90°
- suitable for continuous flow water heaters
- pop-up waste set G 1¼
- material waste set: synthetic
- connection type: G ¾ connections
- connection dimension: DN15

Technology



Design awards



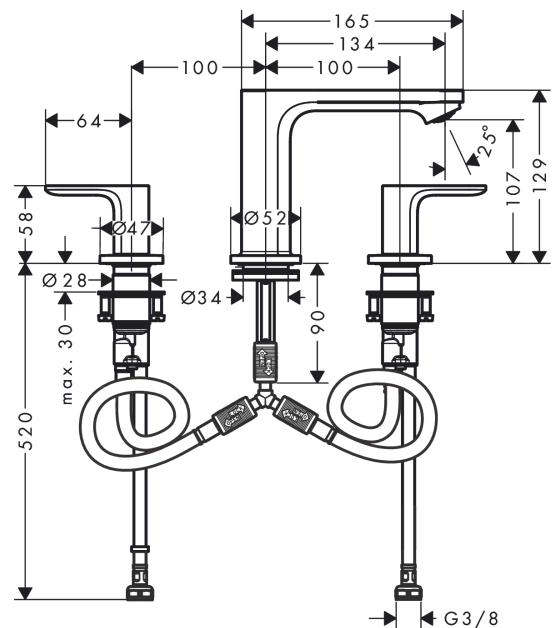
reddot winner 2022



Product image



Scale drawing



Flowchart

