

Small washbasin, shelf right / cutable

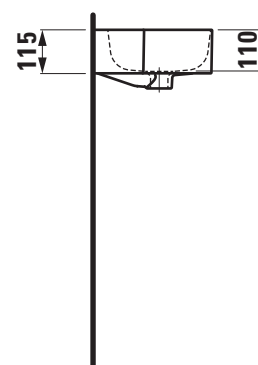
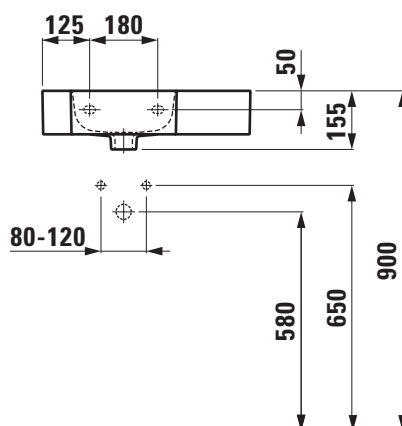
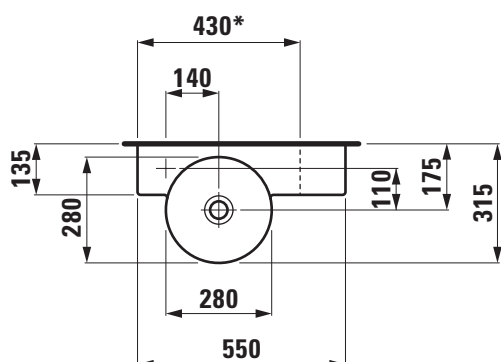
81528.3



TECHNICAL DATA

Order no.	81528.3	Mounting acc. excl.	Mounting set M10 x 140 mm, order no. 89988.2
Certified to	EN 31	Otherwise	When ordering the cut version use the order form for cutting
Dimensions	550 x 135/315 mm	Colours	see colour table
Inside dimensions of the basin	Ø 275 mm	SPECIFICATION TEXT	
Basin capacity	3.5 litre (up to bottom line of the overflow)	Small washbasin Laufen-VAL, SaphirKeramik EN 31	
Specification	Basin left, ceramic shelf right Charge 105 – 1 tap hole left	dimensions 340 x 135/315 mm, asymmetric basin left, 1 tap hole left	
Special specification	Charge 109 – without tap holes Charge 811 – 1 tap hole left, cut one-sided to 430 mm Charge 813 – without tap holes, cut one-sided to 430 mm	Special feature: overflow channel glazed, cutable to 430 mm, integrated shelf right	
Weight	8,0 kg	Further options / accessories: Surface refinement LCC (only white), without tap hole, towel holder 38128.1, bathtubs	
Accessories excl.	Towel holder, order no. 38128.1	Order no. 81528.3	

TECHNICAL DRAWINGS / S 1 : 20



* = minimum measure for cutting