
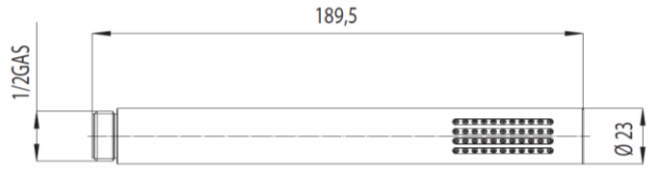
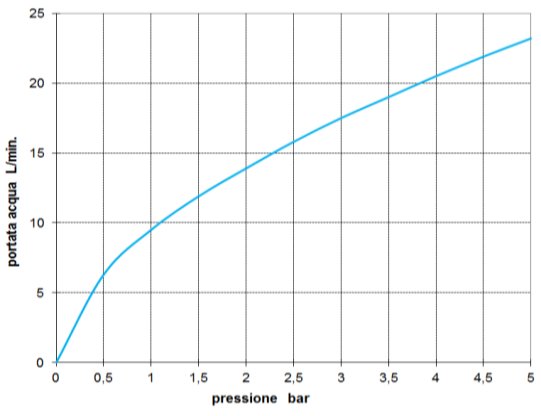


BOSSINI		SCHEDA TECNICA TECHNICAL SHEET		Date: 20/07/2017	Rev/0																										
Codice / Code: B00253		Descrizione / description: Doccia monogetto in ottone Single function Brass handshower																													
		Disegni / drawings 																													
Grafico di portata / Flow rate diagram																															
<table border="1"> <thead> <tr> <th></th> <th>rain</th> </tr> </thead> <tbody> <tr><td>0</td><td>0</td></tr> <tr><td>0,5</td><td>6,3</td></tr> <tr><td>1</td><td>9,5</td></tr> <tr><td>1,5</td><td>11,9</td></tr> <tr><td>2</td><td>13,9</td></tr> <tr><td>2,5</td><td>15,8</td></tr> <tr><td>3</td><td>17,5</td></tr> <tr><td>3,5</td><td>19</td></tr> <tr><td>4</td><td>20,5</td></tr> <tr><td>4,5</td><td>21,9</td></tr> <tr><td>5</td><td>23,2</td></tr> <tr> <td>pressione bar</td> <td>portata L/min</td> </tr> </tbody> </table>			rain	0	0	0,5	6,3	1	9,5	1,5	11,9	2	13,9	2,5	15,8	3	17,5	3,5	19	4	20,5	4,5	21,9	5	23,2	pressione bar	portata L/min				
	rain																														
0	0																														
0,5	6,3																														
1	9,5																														
1,5	11,9																														
2	13,9																														
2,5	15,8																														
3	17,5																														
3,5	19																														
4	20,5																														
4,5	21,9																														
5	23,2																														
pressione bar	portata L/min																														
MATERIALI / materials																															
Brass, Silicone, Nbr, Acetal																															
CARATTERISTICHE IDRAULICHE / hydraulic features																															
	pressione pressure	portata flow rate	temperatura temperature	solo per miscelatori termostatici only for thermostatic mixers																											
min	1 bar	5L/min	--	Blocco di sicurezza safety lock	/																										
max	5 bar	--	<70°C	Temperatura acqua fredda cold water temperature	/																										
consigliata recommended	2-3 bar	--	<42°C	Temperatura acqua calda hot water temperature	/																										
CERTIFICAZIONI / CERTIFICATIONS:																															
WATERMARK [AS/NZS 3662:2005] (AUS), CSA [ASME A 112. 18. 1/CSA B125. 1](CAN/USA), IAPMO [ASME A 112. 18. 1/CSA B125. 1] (USA/CAN).																															
CONFORMITA' / CONFORMITY :																															
Chrome plating - EN 248.																															