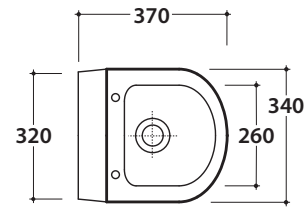


FORTY3 WALL-HUNG URINAL FO030BI

CE EN 13407:2015

GLOBO



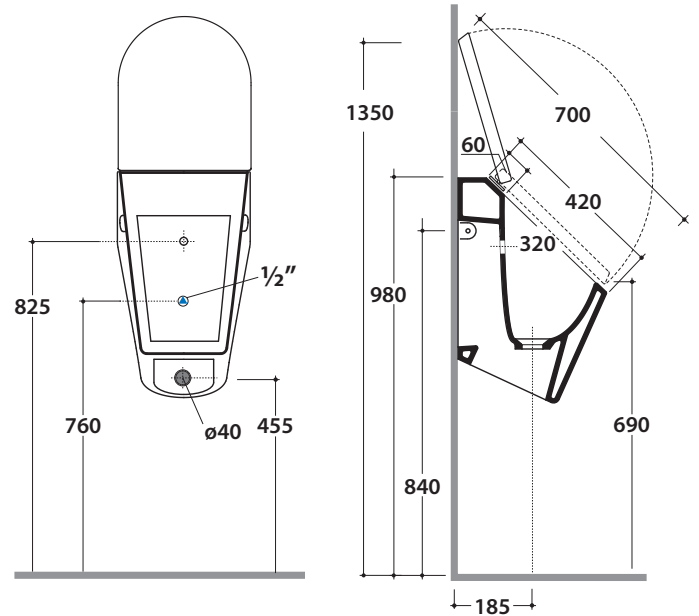
Ceramic antibacterial effect
BATAFORM®



Glazed product with
CERASLIDE®

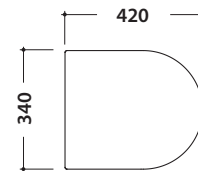
Cod. **FO030BI**

Wall-hung urinal 34.37 h57 cm. with holes for cover. Provided with water supply and drainage system. FISSAGGIOGHOST® fixing kit included. Weight 18 Kg



Cod. **FO023BI**

Duroplast seat-cover with traditional closing system. Weight 3,5 Kg



Cod. **FO024BI**

Duroplast seat-cover with soft-closing system. Weight 3,5 Kg

