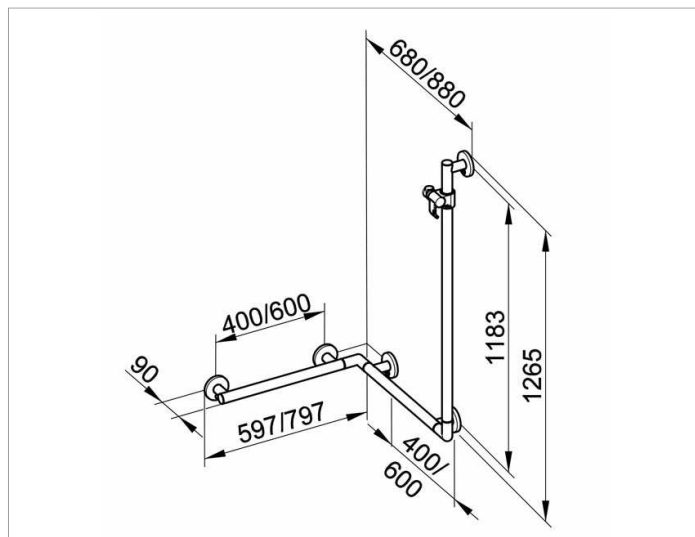


**Plan Care**

34908016611 Поручень вдоль стены и штанга для душа

**ИЗДЕЛИЕ****ЧЕРТЕЖ****ОПИСАНИЕ ИЗДЕЛИЯ**

в комплекте с держателем душевой лейки  
монтируется справа и слева

**поверхность**

хром

**Габариты**

797/880/1265 mm

**спецификации**

KEUCO PLAN CARE rail system  
with Shower rail 34908016611,  
high shine chrome-plated,  
complete with shower bracket,  
may be used on left or right  
in esthetic, practical and ergonomic Design  
as Support help up to 115 kg load capacity,  
anti-static,  
easy to clean  
Base measurement horizontal 600/600/1182 mm,  
Pipe diameter 33 mm,  
5 Rosette Diameter 82 mm  
Measurement 797/880/1265 mm  
Projection 90 mm,  
Wall distance 57 mm

May be combined with tip-up seat with backrest  
(Art. no. 34981) or spray guard (Art. no. 34940)

Included in delivery:  
5 x mounting set1 (Art. no. 34990000100)

Further mounting sets  
(depending on type of wall):  
5 x mounting set 4 (Art. no. 34990 000200), or  
5 x mounting set 7 (Art. no. 34993 000200)  
Please order additionally!